

374D-1 Occupancy Ceiling Surface Mounted PIR Timer – Three wire

The 374D-1 Ceiling Surface Mounted PIR Timer is part of the Elkay family of switches, timers and detectors which save energy and increase convenience in and around your home or business premises.



Product description

The product is the best compact Ceiling Surface Mount PIR on the market with the following key attributes: 6A all load type switching whatever the load including LED (so no need to de-rate for LED). The product can be both presence and absence with the addition of a one-way switch or grid switch. (see diagram) It has 30 seconds to 30 minutes timing and has Manual lux adjustment to harvest daylight and maximise energy savings. It has an adjustable sensitivity control. Timing is also easily adjustable without having to take the product down from the ceiling. Just removing the cover allows access to the timing, lux and sensitivity pots. Note that these must be adjusted gently!

The unit is switched ON by the detection of moving body heat within its detection range. When body movement is no longer detected, the unit will switch OFF after the adjustable delay time has elapsed following no further detection.

Available in Black or White.

This product is perfect for surface mounting directly on to a ceiling or on to a BESA conduit box.

Typical Product usage

The 374D-1 Occupancy PIR timer is commonly used to control all types of internal loads from lighting, heating and ventilation and is very popular for use in all situations for controlling loads where the load is only required in people's presence or absence. The product requires a neutral. Applications for suitable use include lighting such as LED lighting, fluorescent and compact fluorescent lighting as well as inductive, resistive and incandescent lighting and certain heating and ventilation applications*

*When using PIRs with outdoor heating sources it is advisable to ensure that the PIR sensor is in a position where it will not be affected the heat or ventilation source and false trigger or stay on.

**All load type switching means that all load types such as LED, Fluorescent, Compact fluorescent, Resistive and Induction can be switched at 6Amps (1380W) without the need to derate.

Key Features

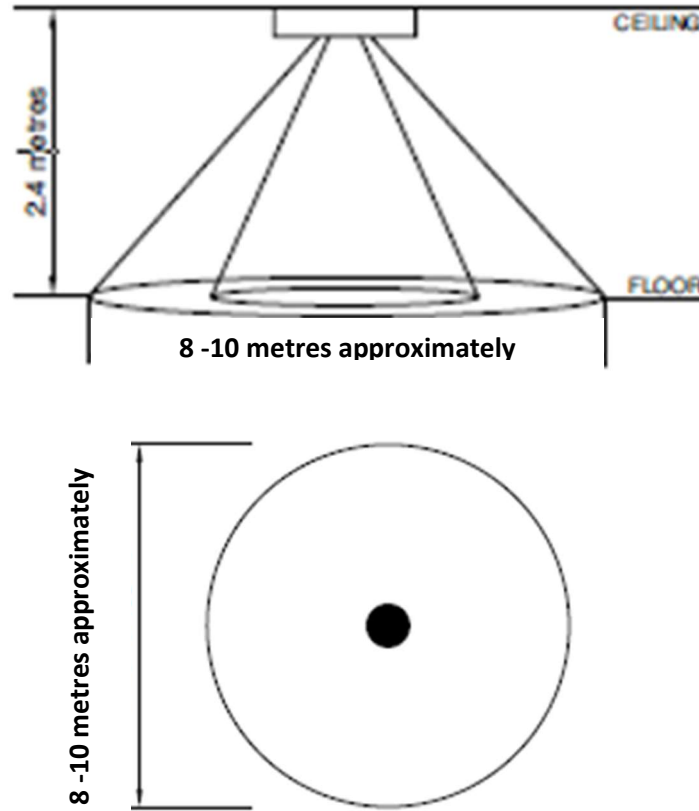
- Smallest compact all in one design
- 6A any load type
- 3 wire - Live, Live Out (or Switch live) and Neutral required
- Lux level Adjustment control –Manual Lux
- Adjustable Sensitivity control
- Fixing options –Surface mounted only or on BESA conduit box
- Automatically resets timing sequence if detecting movement.
- Can be interlinked with other 374D-1 timers for multiple switching using appropriate connection boxes (not supplied)
- 360° detection utilising a circular beam.
- 8-10 m detection range
- Timer settings from 30 seconds to 30 minutes

Technical Specification

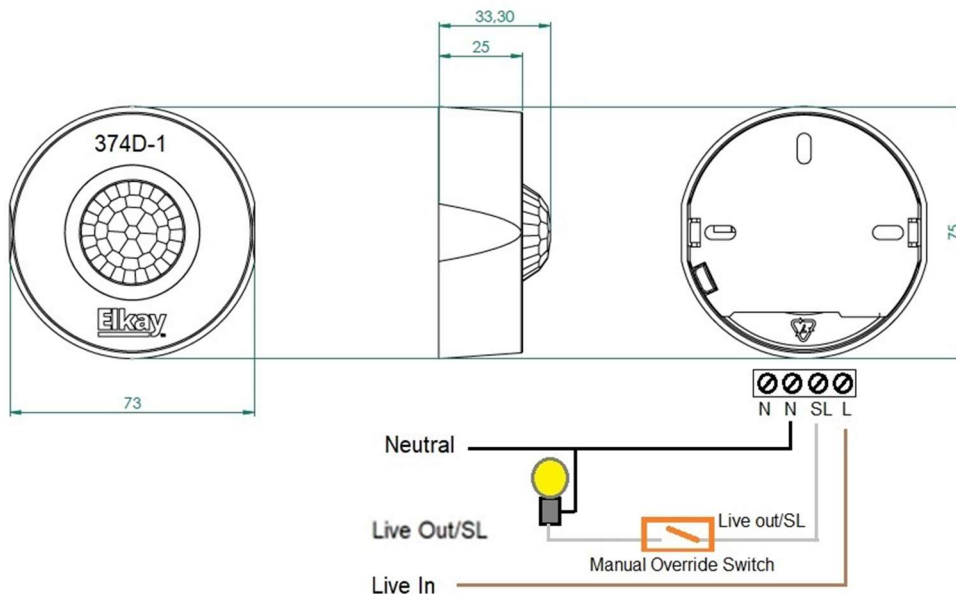
- **Voltage:** 240V a.c.
- **Frequency:** 50/60Hz
- **Timing:** 30 seconds to 30 minutes
- **Detection Range:** 8-10m range with a 360° circular beam
- **Connections:** Live | Switch Live | Neutral | Neutral
- **Loading:** Up to 6A all load types**
- **Marking:** CE & UKCA
- **Terminal Capacity:** 2.5mm²
- **Standards:** BS EN 60669, 60669-1, 60669-2-1, 60669-2-3.
- **Power Consumption:** 0.5W
- **Material:** Flame Retardant ABS / UV Resistant
- **Compliances:** RoHS compliant, WEEE Policy, ISO9001, ISO14001.
- **Total Product Weight (each):** 54g
- **Total Plastic Weight (each):** 32g
- **Colour-** Available in Gloss White RAL 9003 and Gloss Black RAL 9005

Dimensions

The circular beam gives 360° detection and detects infra-red body heat passing or approaching the sensor. The pattern is 8 to 10 metres approximately based on an average ceiling height of 2.4 to 2.6 metres



Absence Wiring with standard one way switch or grid switch
Manual override switch converts presence detector to absence detector



Amendments Record

Action	Date
Draft Issue	27/03/24