



CATALOGUE

# ENERGY SAVING SWITCHES AND CONTROLS



Elkay  
Brook House,  
Dunmurry Industrial Estate,  
Dunmurry,  
Belfast BT17 9HU  
T +44 (0)28 9061 6505  
F +44 (0)28 9061 6518  
E hello@elkay.co.uk

[elkay.co.uk](http://elkay.co.uk)



BROOK DESIGN  
HARDWARE LTD



BROOK DESIGN  
HARDWARE LTD

# THE ELKAY ENERGY MANAGEMENT RANGE OF TIMERS & SWITCHES PROVIDES A SIMPLE AND HIGHLY COST EFFECTIVE WAY OF SAVING ENERGY.

With a wide choice of timer controls for lighting and other types of electrical loads, the Elkay range provides a fast track route to substantial reduction in both energy bills and carbon emissions.

## TABLE OF CONTENTS

04 - 05	Introduction
06 - 07	Elkay product applications
08 - 13	Range overview
14 - 27	Timers and switches
28 - 31	Illuminated Style
32 - 37	Outdoor timers and switches
38 - 39	What is DALI?
40 - 41	Elkay - the easyDALI system
42 - 43	Elkay easyDALI product applications
44 - 47	Elkay easyDALI range
48 - 55	DIN rail mounted timers
56 - 64	Technical



# INTRODUCTION

## Carbon footprint

Climate change is a serious problem that affects us all. There is now an overwhelming body of scientific evidence that emissions of greenhouse gases are changing the world's climate.

Reducing energy consumption therefore not only saves money, but also will reduce our carbon footprint. The new Elkay energy saving range from Elkay provides a cost effective practical step along this important journey.

Backing up the science, the UK government passed the Climate Change Act 2008 which introduces the world's first long-term legally binding framework to tackle climate change. The Act aims to encourage the transition to a low-carbon economy in the UK through legally binding emissions reduction targets.

This is enforced by Energy Performance Directives, which now stipulate key areas for improvement in the energy performance of buildings.

The new Elkay Energy Range gives architects, planners and electrical contractors a broad selection of simple but highly effective solutions to minimise the amount of energy used in all types of commercial and industrial environments.

In a domestic setting, the Elkay Range gives an excellent opportunity to increase style and functionality around the home, whilst making an important contribution to the reduction in our carbon footprint at the same time.

Our products save energy and money from the moment they are installed providing an instant energy saving solution.



PIR Timer



Ceiling Mount  
PIR Timer



## ENERGY SURVEY

A free, no obligation, energy survey from Elkay has resulted in many business making instant savings on their energy and reduced energy costs.

Businesses of all sizes have never been more aware of the need to reduce energy consumption. Mention the spiralling costs of fuel – all of which contribute to make reducing energy consumption a necessity rather than a luxury.

But where do you begin? How can you be sure you're cutting costs not corners? After all you're in business to make a profit and cannot afford to cut energy consumption at the expense of running your business.

This is where Elkay can help. Decades of experience in energy management have given us the expertise to come into your organisation and carry out a complete audit of your energy expenditure.

When we undertake an Energy Survey, we'll tell you not only where you are wasting energy but recommend practical steps, by utilising the Elkay Energy Range, to reduce waste and tell you exactly how much you'll save - in terms of energy output and money.

It's a service which many blue-chip companies have already taken advantage of - and the savings can be staggering.

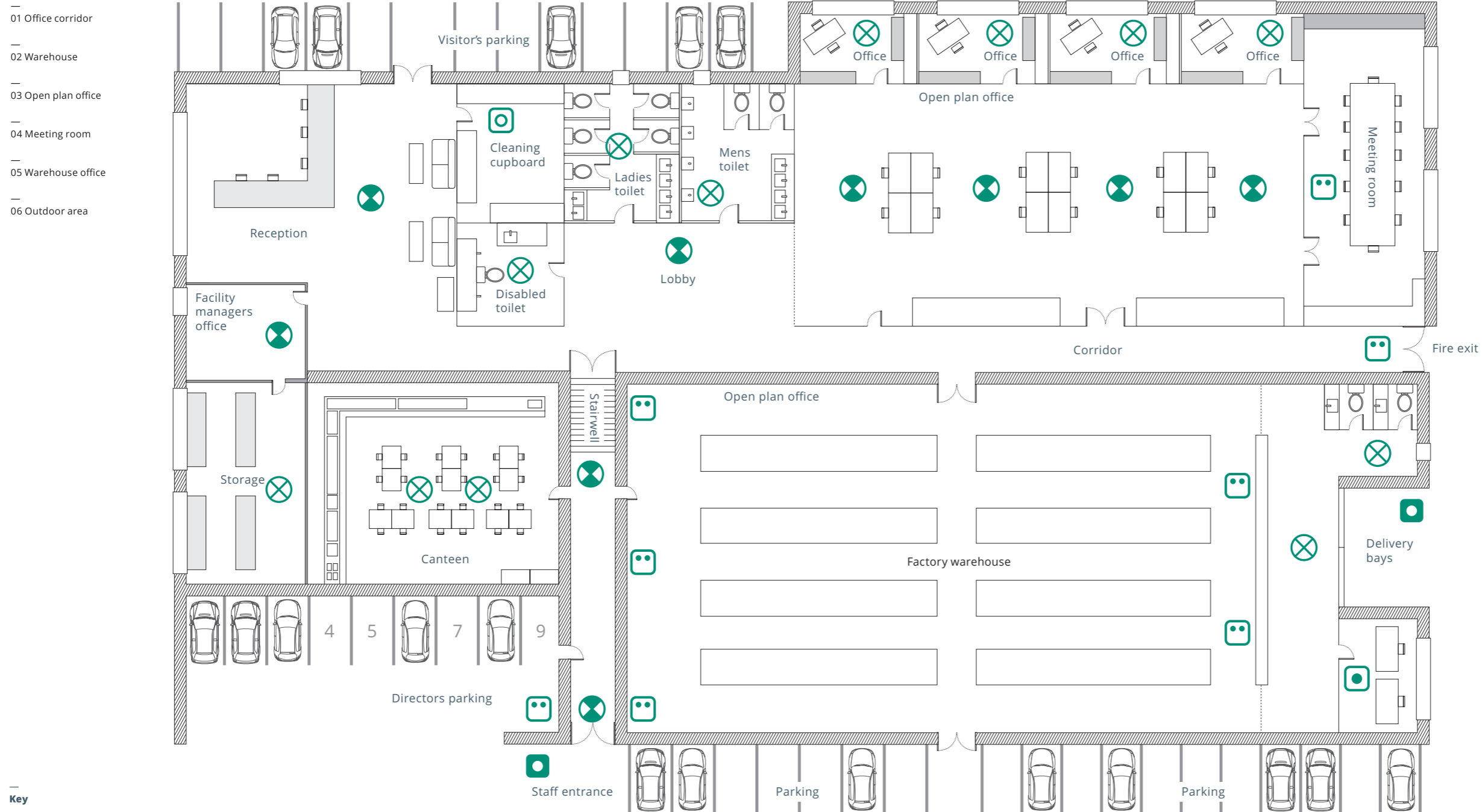
To reinforce these findings, one nationally known UK retailer has cut their energy bill for lighting in back room areas by a massive 87 percent at just one of their branches after implementing the recommendations made in their energy survey.

To find out more about Elkay Energy Surveys or to arrange one for your business call +44(0)28 9061 6505 or email [hello@brookvent.co.uk](mailto:hello@brookvent.co.uk).

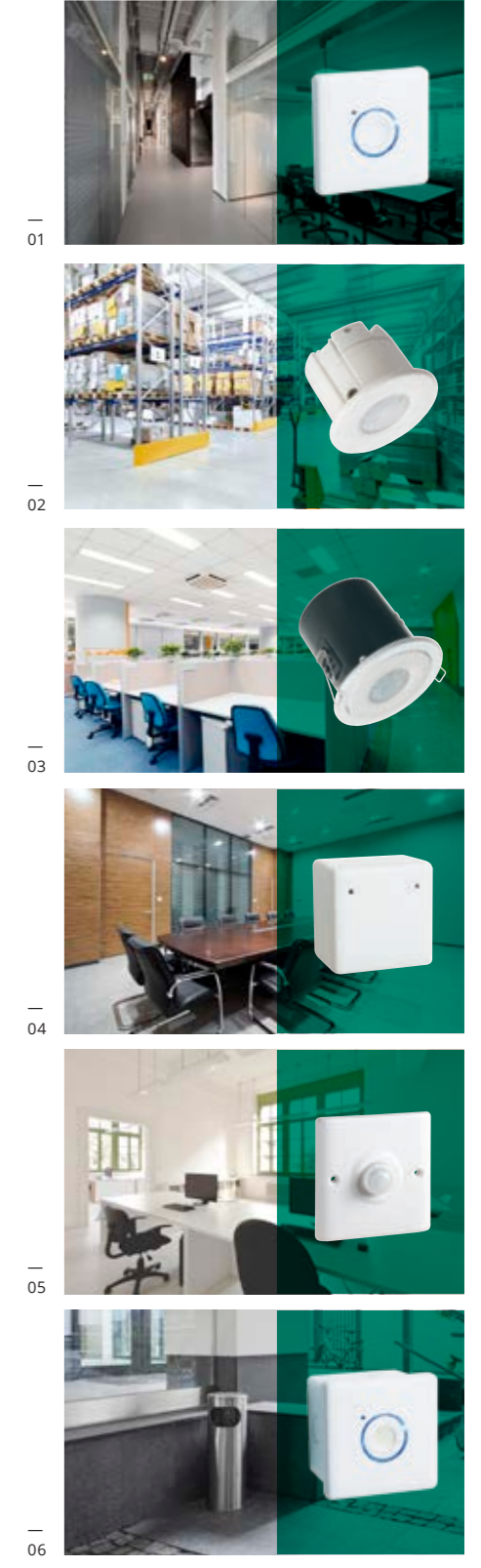


# INTRODUCTION

## Product applications



- Key**
- 350A-1 - Pushbutton timer
  - 370B-1 - 3 wire wall PIR
  - 560A-1 - Outdoor touch timer
  - 380A-1 - Microwave timer
  - 374B-1 - Ceiling PIR
  - 374B-1FPC - Fireproof ceiling PIR





## RANGE OVERVIEW

### Timers & switches - Technical specification



Type	Columbus® pneumatic timer	Columbus® pneumatic timer	Columbus® electronic timer	Pushbutton timer	Pushbutton timer	Pushbutton timer	Pushbutton activator	Standard pushbutton timer	Standard pushbutton timer	Pushbutton long timer	Touch timer	Touch timer	Touch timer	Touch activator	
Reference	400A	400A-3	400NE	350A-1	3875A-1	750A-2	350A-3	350B-1	3875B-1	3875A-1-LT	360A-1	2235A-1	760A-2	360A-3	
Configuration	Single contacts	Double contacts	-	2 Wire	3 Wire	3 Wire	3 Core connection	2 Wire	3 Wire	3 Wire	2 Wire	3 Wire	3 Wire	3 Core connection	
Colour	White	White	White	White	White	B Steel	White	White	White	White	White	White	White	B Steel	White
Hidden screws	☐	☐	☐	☐	☐	☐	☐	-	-	☐	☐	☐	☐	☐	
Fascia plate height	10 mm	10 mm	10 mm	8 mm	8 mm	8 mm	8 mm	8 mm	8 mm	8 mm	8 mm	8 mm	8 mm	8 mm	
Back box depth (not supplied)	10 mm	10 mm	10 mm	25 mm	25 mm	25 mm	25 mm	25 mm	25 mm	25 mm	25 mm	25 mm	25 mm	25 mm	
Max load rating @240V resistive / incandescent	6A	6A	5 A	16A	16A	16A	16A	10A	10A	16A	16A	16A	16A	16A	
Max load rating @240V fluorescent	3A (max 6 fittings)	3A (max 6 fittings)	5 A	16A	16A	16A	16A	10A	10A	16A	16A	16A	16A	16A	
Max load rating @240V compact fluorescent	3A (max 6 fittings)	3A (max 6 fittings)	5 A	16A	16A	16A	16A	10A	10A	16A	16A	16A	16A	16A	
Max load rating @240V LED	3A	3A	5 A	16A	16A	16A	16A	10A	10A	16A	16A	16A	16A	16A	
Blue locator ring	-	-	-	☐	☐	☐	☐	-	-	☐	☐	☐	☐	☐	
Red signal LED	-	-	-	☐	☐	☐	☐	-	-	☐	☐	☐	☐	☐	
Neutral required	-	-	-	-	☐	☐	-	-	☐	☐	-	-	-	-	
Timing range	5sec - 5min	5sec - 5min	20sec - 25min	2min - 2h	2min - 2h	2min - 2h	-	2min - 1h	2min - 1h	8min - 8h	2min - 2h	2min - 2h	2min - 2h	-	
Timing cancellation	-	-	-	☐	☐	☐	☐	☐	☐	☐	☐	☐	☐	☐	
Illuminated switches	-	-	-	☐	☐	☐	☐	-	-	☐	☐	☐	☐	☐	
Intelligent power search facility	-	-	-	☐	N/A	N/A	N/A	-	-	N/A	☐	N/A	N/A	N/A	
Use with contactor	☐	☐	-	-	☐**	☐**	-	-	☐**	☐**	-	☐**	☐**	-	
Page	15	15	15	16	16	29	16	17	17	18	19	19	30	19	

NOTE: 3 Wire products have a neutral, 2 Wire products have no neutral. Activators must be used with illuminated switches and connected with 3 Core cables to Master unit.  
 \*PFCC-1 Capacitor may often be required with circuits switching low wattage loads when used with 2 wire electronic switches  
 \*\*PFCC-1 Capacitor must be fitted at contactor - see page 27 or contact ElKay Technical.



Columbus® pneumatic timer



Touch timer



Standard pushbutton timer



## RANGE OVERVIEW

### Timers & switches - Technical specification



Type	PIR timer	PIR timer	PIR timer	PIR activator electronic timer	Standard PIR timer	Standard PIR timer	Flush Mount PIR	Ceiling mount PIR timer	Fireproof ceiling mount PIR	Microwave Motion Sensor	Remote timer	Wall spacer plate	Capacitor
Reference	376A-1	370A-1	770A-2	376A-3	370B-1	376B-1	374C-1	374B-1	374B-1FPC	380A-1	320A-1	220A-1	PFCC-1
Configuration	2 Wire	3 Wire	3 Wire	3 Core connection	3 Wire	2 Wire	3 Wire	3 Wire	3 Wire	3 Wire	3 Wire	-	-
Colour	White	White	B Steel	White	White	White	White	White	White	White	White	White	Black
Hidden screws	0	0	0	0	-	-	-	-	-	0	0	-	N/A
Fascia plate height	8 mm	8 mm	8 mm	8 mm	8 mm	8 mm	4 mm	4 mm	4 mm	8 mm	8 mm	-	N/A
Back box depth (not supplied)	25 mm	25 mm	25 mm	25 mm	25 mm	25 mm	55 mm	55 mm	92 mm	35 mm	25 mm	10 mm	N/A
Max load rating @240V resistive / incandescent	16A	16A	16A	16A	10A	10A	6A	10A	10A	16A	16A	-	N/A
Max load rating @240V fluorescent	16A	16A	16A	16A	10A	10A	6A	10A	10A	16A	16A	-	N/A
Max load rating @240V compact fluorescent	16A	16A	16A	16A	10A	10A	6A	10A	10A	16A	16A	-	N/A
Max load rating @240V LED	16A	16A	16A	16A	10A	10A	6A	10A	10A	16A	16A	-	N/A
Blue locator ring	0	0	0	0	-	-	-	-	-	-	-	-	N/A
Red signal LED	0	0	0	0	0	0	0	0	0	0	-	-	N/A
Neutral required	0	0	0	-	0	-	0	0	0	0	0	-	N/A
Timing range	0	-	-	-	-	-	-	-	0	0	-	-	N/A
Timing Range	2min - 2hr	2min - 2h	2min - 2h	-	2min - 1h	2min - 1h	30sec to 30 min	2min - 1h	2min - 1h	2min - 2h	2min - 2h	-	N/A
LUX level adjustment	0	0	0	0	0*	0	0	0	0	0	0	-	N/A
Timing cancellation	0	0	0	0	-	-	-	-	-	-	-	-	N/A
Illuminated switches	0	0	0	0	-	-	0	0	0	0	0	-	N/A
Intelligent power search facility	0	N/A	N/A	N/A	-	-	0	0	0	N/A	N/A	-	N/A
Use with contactor	-	0**	0**	-	0**	-	0**	0**	0**	0**	0**	-	0**
Page	20	20	31	20	21	21	22	23	24	25	26	27	27

NOTE: 3 Wire products have a neutral. 2 Wire products have no neutral. Activators must be used with illuminated switches and connected with 3 Core cables to Master unit.  
 \*PFCC-1 Capacitor may often be required with circuits switching low wattage loads when used with 2 wire electronic switches.  
 \*\*PFCC-1 Capacitor must be fitted at contactor - see page 27 or contact Elkay Technical.



Standard PIR timer



Fireproof ceiling mount PIR



Ceiling mount PIR timer



Microwave timer.



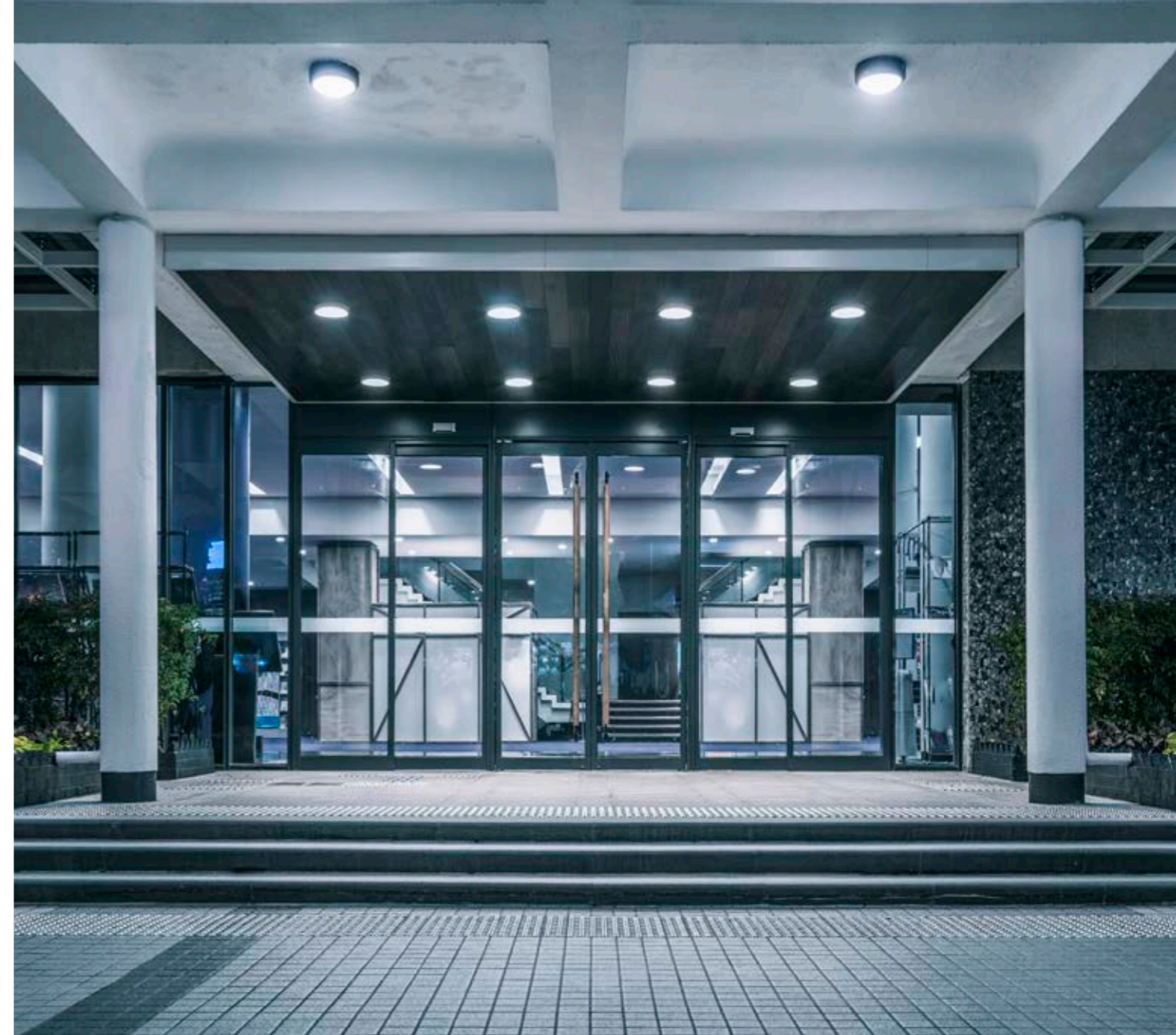
## RANGE OVERVIEW

### Outdoor timers & switches - Technical specification



Type	Pushbutton timer	Standard pushbutton timer	Standard pushbutton timer	Touch timer	PIR timer
Reference	550A-1	550B-1	550B-3	560A-1	570A-1
Configuration	3 Wire	3 Wire	2 Wire	3 Wire	3 Wire
Colour	White	White	White	White	White
Hidden screws	0	0	0	0	0
Fascia plate height	8 mm	8 mm	8 mm	8 mm	8 mm
Back box depth (not supplied)	65 mm	65 mm	65 mm	65 mm	65 mm
Max load rating @240V resistive / incandescent	16A	10A	10A	16A	16A
Max load rating @240V fluorescent	16A	10A	10A	16A	16A
Max load rating @240V compact fluorescent	16A	10A	10A	16A	16A
Max load rating @240V LED	16A	10A	10A	16A	16A
Blue locator ring	0	-	-	0	0
Red signal LED	0	-	-	0	0
Neutral required	0	0	-	0	0
Timing range	2min - 2h	2min - 1h	2min - 1h	2min - 2h	2min - 2h
Timing cancellation	0	0	0	0	0
Illuminated switches	0	0	0	0	0
Intelligent power search facility	N/A	-	-	-	**
Use with contactor	**	**	-	**	**
Page	34	35	35	36	37

NOTE: 3 Wire products have a neutral. 2 Wire products have no neutral. Activators must be used with illuminated switches and connected with 3 Core cables to Master unit.  
 \*\*PFCC-1 Capacitor must be fitted at contactor - see page 27 or contact Elkay Technical.



Outdoor pushbutton timer



Outdoor touch timer



Outdoor standard pushbutton timer



# TIMERS & SWITCHES

## Introduction

The Timers & Switches range from Elkay provides a simple and highly cost effective way of saving energy, which can be easily installed in existing buildings as it can be incorporated into new build schemes.

With a wide choice of timer controls for lighting and other types of electrical loads, products across the Energy Sense range provide a fast track route to substantial reduction both in energy bills and carbon emissions.

From the Columbus® pneumatic time delay switch to intelligent pushbutton, touch and PIR timers, the Elkay range offers extensive features, attractive styling and practical solutions.



Columbus® electronic timer



Pushbutton timer



Standard PIR timer

## TIMERS & SWITCHES

### Columbus® pneumatic & electronic timers



#### Description

Columbus® Pneumatic Timer is an easy to fit and cost effective way of automatically turning lighting off after a set period of time. Pushing the button switches the contacts and activates the time delay, which can be set at installation anywhere between 5 seconds and 5 minutes (Note timings are approximate).

The unit has single or double contact options and can be fitted to existing single gang switches, making it a perfect low cost energy saving solution in areas such as stairways, corridors and storerooms.

This switch is the first 2 wire electronic switch in the world that can switch a contactor.

#### Key features:

- For fluorescent (6 fittings max), incandescent lighting and LEDs
- Replaces existing single gang wall switch
- No neutral required

Part No.	Type	Configuration	Finish	Rating
400A	Columbus pneumatic timer	Single contact arrangement	White	3A-6A-240V
400A-3	Columbus pneumatic timer	Double contact arrangement	White	3A-6A-240V
163	Columbus Shroud Protection Kit	Rubber Shroud with Gasket	Grey	N/A

See Technical pages 48-56 for wiring diagrams.



#### Description

Columbus® Electronic Timer is an easy to fit and cost effective way of automatically turning lighting off after a set period of time. Pushing the button switches the switch and activates the time delay, which can be set at installation anywhere between 20 seconds and 25 minutes.

It can be fitted to existing single gang switches, making it a perfect low cost energy saving solution in areas such as stairways, corridors and storerooms.

#### Key features:

- For fluorescent (5A), incandescent (5A) lighting ONLY and LEDs
- Replaces existing single gang wall switch
- Capacitor required for all low wattage loads and LEDs
- No neutral required

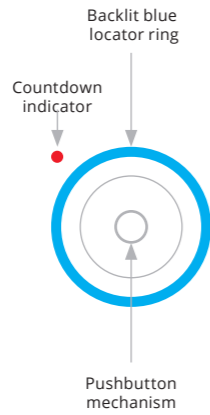
Part No.	Type	Configuration	Finish	Rating
400NE	Columbus electronic timer	-	White	5A-240V

\*PFCC-1 Capacitor will often be required when switching certain types of load - see page 27 for full details or contact Elkay Technical.

\*\*Activators must be used with illuminated range and connected with 3 Core cables to Master unit. \*\*\*Activator unit required for multiway switching. See Technical pages 48-56 for wiring diagrams.

## TIMERS & SWITCHES

### Illuminated pushbutton timer



#### Description

The Pushbutton Timer is suitable for retrofit into modern lighting systems. Able to replace existing single gang switches, to provide energy saving functionality by turning off the power source via timer, to avoid unnecessary power usage.

The Pushbutton Timer must be used in conjunction activator devices for multi-way applications. This has the ability to latch back on to the mains power supply and reset in the event of a power cut.

A Capacitor must be used in the circuit when switching low wattage loads such as fluorescent, compact fluorescent, and LED's.

Part No.	Type	Configuration	Finish	Rating
350A-1***	Illuminated pushbutton timer master	2 Wire* for lighting only	White	16A-240V
3875A-1***	Illuminated pushbutton timer master	3 Wire	White	16A-240V
350A-3	Illuminated pushbutton timer activator	3 Core**	White	16A-240V

\*PFCC-1 Capacitor will often be required when switching certain types of load - see page 27 for full details or contact Elkay Technical.  
 \*\*Activators must be used with illuminated range and connected with 3 Core cables to Master unit. \*\*\*Activator unit required for multiway switching.  
 See Technical pages 48-56 for wiring diagrams.

#### Key features:

- 16A any load type (requires Capacitor PFCC-1 for all types of low wattage loads and LED lighting)
- 2 wire (Live and Switch live required) 24 hour uninterrupted supply required
- Blue Locator ring
- Re-set timing sequence at any time during countdown
- Can be interlinked with any Elkay activator switches (Only one Master per circuit)
- Fits into 25mm depth back boxes
- Time settings from 2 mins to 2 hours
- Last minute indicator
- No Neutral required

## TIMERS & SWITCHES

### Standard pushbutton timer



#### Description

The Standard Pushbutton Timer is an energy saving device to switch loads for a pre-selected time period. It fits easily into a British Standard back box of 25mm depth.

The timer can be interlinked in parallel with other Elkay timers to create multiple switching points. It can also replace an existing switch at the switch point to provide energy saving functionality by turning off to avoid unnecessary power usage.

A Capacitor must be used in the circuit when switching low wattage loads such as Fluorescent, compact fluorescent, and LED's.

Part No.	Type	Configuration	Finish	Rating
350B-1	Standard pushbutton timer	2 Wire* for lighting only	White	10A-240V
3875B-1	Standard pushbutton timer	3 Wire	White	10A-240V

See Technical pages 48-56 for wiring diagrams.

#### Key features:

- 10A any load type (requires Capacitor PFCC-1 for all types of low wattage and LED loads)
- 2 wire (Live and switch live)
- 3 wire (Live, switch live and neutral)
- Can be retrofitted into any type of lighting wiring circuit
- Can be interlinked with other standard push button timers
- Fits into 25mm depth back boxes
- Time settings from 2 mins to 1 hour

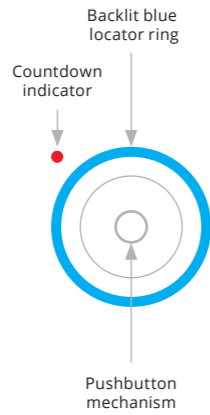
#### Typical applications:

- 2 wire for lighting only
- 3 wire for general purpose loads including resistive loads and incandescent, fluorescent and LED lighting



## TIMERS & SWITCHES

### Illuminated pushbutton long timer



#### Description

A stylish, 3 wire, illuminated Pushbutton Timer suitable for retrofit into modern lighting systems. This version of our Push Button Timer can time from **8 minutes to 8 hours**, providing longer time control. Able to replace existing single gang switches, to provide energy saving functionality by turning off the power source via timer, to avoid unnecessary power usage.

The Pushbutton Timer must be used in conjunction activator devices for multi-way applications. This has the ability to latch back on to the mains power supply and reset in the event of a power cut.

A Capacitor must be used in the circuit when switching low wattage loads such as fluorescent, compact fluorescent, and LED's.

Part No.	Type	Configuration	Finish	Rating
3875A-1LT**	Pushbutton long timer master	3 Wire	White	16A-240V

\*PFCC-1 Capacitor will often be required when switching certain types of load - see page 27 for full details or contact Elkay Technical.  
 \*\*Activators must be used with illuminated range and connected with 3 Core cables to Master unit. \*\*\*Activator unit required for multiway switching.  
 See Technical pages 48-56 for wiring diagrams.

#### Key Features

- 16A any load type (requires Capacitor PFCC-1 for all types of low wattage loads and in LED lighting)
- 3 wire (Live, switch live and neutral required)
- Blue Locator ring
- One minute countdown LED indicator
- Re-set timing sequence at any time during countdown
- Can be interlinked with any Elkay activator switches
- Fits into 25mm depth back boxes
- Time settings from **8 minutes to 8 hours**

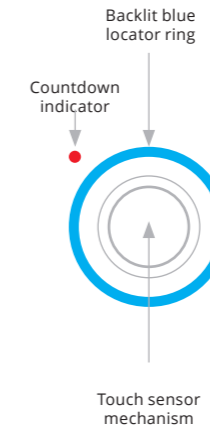
#### Typical applications:

A general purpose timer for use with lighting loads, towel rails, heaters, contactor coils and ventilation loads. Can be retrofitted into any type of circuit with a neutral feed and interlinked with any activator timers to provide multiple switching points.

Suitable for all long timing applications such as large occupied areas and battery charging etc.

## TIMERS & SWITCHES

### Touch timer



#### Description

The Touch Timer offers energy saving features at the lightest of touches. With the reliability of a fully electronic unit, with no mechanical moving parts, it has all the features of the Elkay push button timer unit with the additional benefit of a featherlight touch activation.

Variable timing selection, a backlit blue neon indicator ring and automatic reset are all part of this feature-packed device. It is also suitable for multi-way applications thanks to activator switch options with the 2 wire and 3 wire master devices.

Part No.	Type	Configuration	Finish	Rating
2235A-1***	Touch timer master	3 Wire	White	16A-240V
360A-1***	Touch timer master	2 Wire* for lighting only	White	16A-240V
360A-3	Touch activator	3 Core**	White	16A-240V

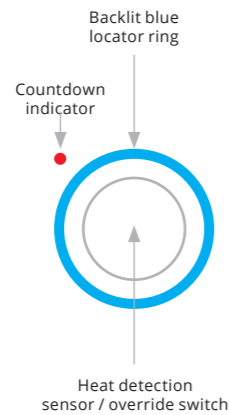
\*PFCC-1 Capacitor will often be required when switching certain types of load - see page 27 for full details or contact Elkay Technical.  
 \*\*Activators must be used with illuminated range and connected with 3 Core cables to Master unit. \*\*\*Activator unit required for multiway switching.  
 See Technical pages 48-56 for wiring diagrams.

#### Key features:

- 16A any load type (requires Capacitor PFCC-1 for all types of low wattage and in particular LED loads)
- 2 wire (Live and switch live)
- 3 wire (Live, switch live and neutral)
- Blue Locator ring
- One minute countdown LED indicator
- Re-set timing sequence at any time during countdown
- Can be interlinked with any Elkay activator switches (Only one Master per circuit)
- Time settings from 2 mins to 2 hours

## TIMERS & SWITCHES

### Illuminated PIR timer



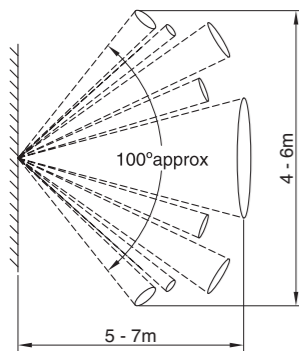
#### Description

The PIR Timer is a fully automatic device which controls various power loads through the detection of body heat. Activated by the detection of moving body heat, the lighting or power load will then stay on for a preset period of time.

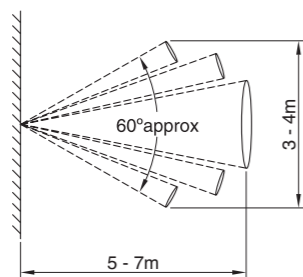
If body heat is no longer detected, the time period will elapse and the load will be switched off. An internal light sensor will keep the lighting switched off when sufficient ambient light is available, further increasing the energy saving potential of the PIR Timer. The unit also has an override switch on the faceplate (illuminated only).

Part No.	Type	Configuration	Finish	Rating
376A-1***	Illuminated PIR timer master	2 Wire* (for lighting only)	White	16A-240V
370A-1***	Illuminated PIR timer master	3 Wire	White	16A-240V
376A-3	PIR activator	3 Core**	White	16A-240V

\*PFCC-1 Capacitor will often be required when switching certain types of load - see page 27 for full details or contact Elkay Technical.  
 \*\*Activators must be used with illuminated range and connected with 3 Core cables to Master unit. \*\*\*Activator unit required for multiway switching.  
 See Technical pages 48-56 for wiring diagrams.



Plan view



Side view.

#### Key features:

- Passive Infra Red movement sensor
- 16A any load type
- 2 wire (Live and switch live)
- 3 wire (Live, switch live and neutral required)
- Blue Locator ring
- Manual override of the Lux Level setting
- Override OFF capability
- Fits into 25mm depth back boxes
- 360° detection utilising an elliptical beam
- 5 -7 m detection range
- Time settings from 2 mins to 2 hours
- Last minute indicator on illuminated
- 16A any load type (requires Capacitor PFCC-1 for all types of low wattage and LED loads)

## TIMERS & SWITCHES

### Standard PIR timer



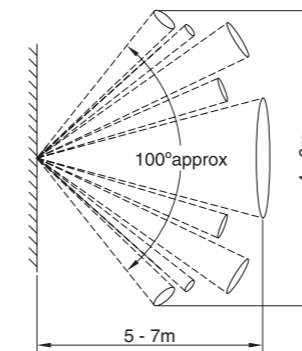
#### Description

The PIR Timer is a fully automatic device which controls various power loads through the detection of body heat. Activated by the detection of moving body heat, the lighting or power load will then stay on for a preset period of time.

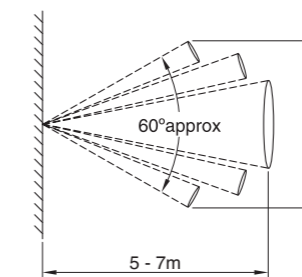
If body heat is no longer detected, the time period will elapse and the load will be switched off. An internal light sensor will keep the lighting switched off when sufficient ambient light is available, further increasing the energy saving potential of the PIR Timer. These units can be linked in parallel and are perfect for retrofitting and providing touch free automatic switching.

Part No.	Type	Configuration	Finish	Rating
376B-1	Standard PIR timer	2 Wire* for lighting only	White	10A-240V
370B-1	Standard PIR timer	3 Wire	White	10A-240V

See Technical pages 48-56 for wiring diagrams.



Plan view



Side view

#### Key features:

- Passive Infra Red movement sensor
- 10A any load type
- 2 wire (Live and switch live)
- 3 wire (Live, switch live and neutral required)
- Fits into 25mm depth back boxes
- 360° detection utilising an elliptical beam
- 5 -7 m detection range
- Time settings from 2 mins to 1 hour
- 10A 370B-1 only (requires Capacitor)
- PFCC-1 for all types of low wattage and LED loads)



## TIMERS & SWITCHES

### Flush Mount PIR Timer



#### Description

The Flush Mount PIR Timer is an energy saving device to switch loads only when there is presence or absence detected. This PIR timer unit has been specifically designed for ceiling mounting and includes spring fixing arms for quick and easy installation. This compact unit is one of the smallest most discrete units available.

The PIR is a time switch designed to sense moving infra red such as moving body heat, and activate a load or appliance for a specified time period. An internal light sensor in the switch will keep the load switched off when sufficient ambient light is available.

A green indicator LED signifies when timing has been retriggered and when the unit is in its final minute of countdown. Time control is adjustable from 30 seconds to 30 minutes and the unit features easy access to timing and lux level control without the need for removing from the ceiling.

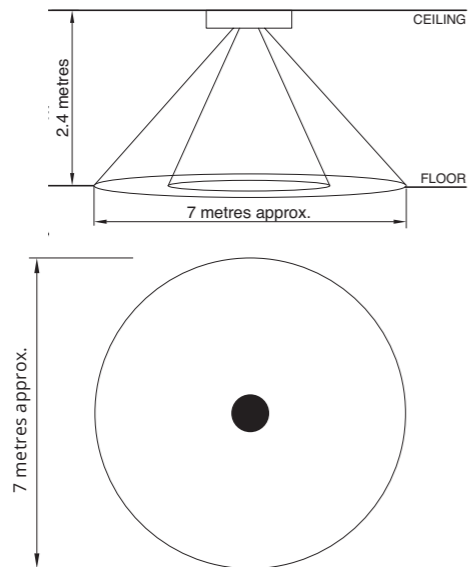
#### Typical applications:

- Suitable for lighting (Instant start or hot re-strike only), heating, ventilation systems and contactor coils
- Suitable for use in all areas where timed control can help efficient energy usage. Manual Lux for extra daylight saving.

Part No.	Type	Configuration	Finish	Rating
374C-1	Flush mount PIR timer	3 Wire	White	10A-240V

\*PFCC-1 Capacitor will often be required when switching certain types of load - see page 27 for full details or contact Elkay Technical. See Technical pages 48-56 for wiring diagrams.

Ceiling mount PIR timer detection diagram



#### Key features:

- 6A any load type (requires Capacitor PFCC-1 for all types of low wattage and LED loads)
- Manual Lux for extra daylight saving control
- Time settings from 30 seconds to 30 minutes
- 360° Detection
- 6 - 7 m detection range
- 3 wire with a neutral being required
- Can be interlinked with other 374C-1 PIR timers
- Can be wired with single gang switch and work as an absence detector

## TIMERS & SWITCHES

### Ceiling mount PIR timer



#### Description

The Ceiling Mount PIR Timer is an energy saving device to switch loads only when there is presence or absence detected. This PIR timer unit has been specifically designed for ceiling mounting and includes spring fixing arms for quick and easy installation. This compact unit is one of the smallest most discrete units available and can be flush or surface mounted when used with a surface mounting box. It can also be mounted on BESA boxes.

The PIR is a time switch designed to sense moving infra red such as moving body heat, and activate a load or appliance for a specified time period. An internal light sensor in the switch will keep the load switched off when sufficient ambient light is available.

A red indicator LED signifies when timing has been retriggered and when the unit is in its final minute of countdown. Time control is adjustable from 2 minutes to 1 hour and the unit features a white and chrome bezel allowing easy access to timing, lux and sensitivity control without the need for removing from the ceiling.

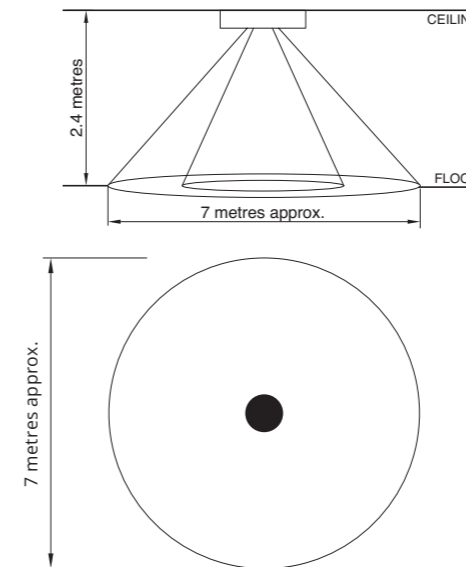
#### Typical applications:

- Suitable for lighting (Instant start or hot re-strike only), heating, ventilation systems and contactor coils
- Suitable for use in all areas where timed control can help efficient energy usage. Auto Lux and Manual Lux for extra daylight saving

Part No.	Type	Configuration	Finish	Rating
374B-1	Ceiling mount PIR timer	3 Wire	White	10A-240V

See Technical pages 48-56 for wiring diagrams.

Ceiling mount PIR timer detection diagram



#### Key features:

- 10A any load type (requires Capacitor PFCC-1 for all types of low wattage and LED loads)
- Sensitivity Adjustment control
- Auto Lux and Manual Lux for extra daylight saving control
- 10 second test mode to speed up installation time
- Surface and Flush mount option
- Time settings from 2 mins to 1 hour
- 360° Detection
- 6 - 7 m detection range
- 3 wire with a neutral being required
- Can be interlinked with other 374B-1 PIR timers
- Can be wired with single gang switch and work as an absence detector

## TIMERS & SWITCHES

### Fireproof ceiling mount PIR timer



#### Description

This PIR Timer unit has been specifically designed to meet the growing need from building control to maintain fireproof qualities in ceilings in public buildings and new build extensions. Its intelligent pre-wired design is particularly useful for ceilings where access above is limited or difficult. This compact unit is one pre-wired for your convenience and has intumescent seals designed to comply with domestic and commercial fire requirements from building control.

The PIR is a time switch designed to sense moving infra red such as moving body heat, and activate a load or appliance for a specified time period. An internal light sensor in the switch will keep the load switched off when sufficient ambient light is available.

A red indicator LED signifies when timing has been retriggered and when the unit is in its final minute of countdown. Time control is adjustable from 2 minutes to 1 hour and the unit features a white allowing easy access to timing, lux and sensitivity control without the need for removing from the ceiling.

Part No.	Type	Configuration	Finish	Rating
374B-1FPC	Fireproof ceiling mount PIR timer	3 Wire	White	10A-240V

See Technical pages 48-56 for wiring diagrams.

#### Key features:

- 10A any load type (requires Capacitor PFCC-1 for all types of low wattage and LED loads)
- Sensitivity Adjustment control
- Auto Lux and Manual Lux for extra daylight saving control
- 10 second test mode to speed up installation time
- Time settings from 2 mins to 1 hour
- 360° Detection
- 6 - 7 m detection range
- Pre-wired in 3 core cable for your convenience
- Last minute indicator on illuminated
- 10A any load type (requires Capacitor)

## TIMERS & SWITCHES

### Microwave Motion Sensor



#### Description

The 380A-1 Microwave Motion Sensor is a high performance presence detector with built in Lux level and sensitivity adjustment.

The unit sends out a high frequency sound wave over a range of up to 30 metres and is switched ON by changes to the sound wave caused by movement within the detection zone. With no changes to the sound wave, the unit will switch OFF after the adjustable time period has elapsed.

The intelligent Lux level adjustment, measures the ambient light levels and prevents the lighting being switched ON when there is sufficient light in the room. It also has a sensitivity range adjustment pot.

#### Key features:

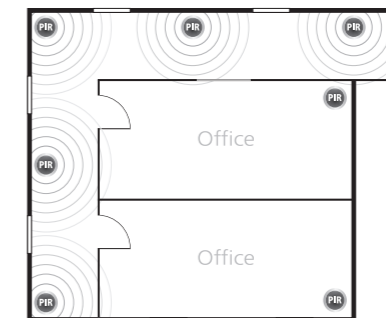
- 16A any load type (requires Capacitor PFCC-1 for all types of low wattage and LED loads)
- 3 wire (Live, switch live and neutral required)
- Time settings from 2 mins to 2 hours
- Wall mounted for best coverage but can be ceiling mounted if required
- 30m detection range utilising an elliptical beam
- Lux level/Daylight adjustment
- Clip on front cover to conceal screws
- Sensitivity Adjustment
- Option to retrofit into existing systems

Part No.	Type	Configuration	Finish	Rating
380A-1	Microwave Motion Sensor	3 Wire	White	16A-240V

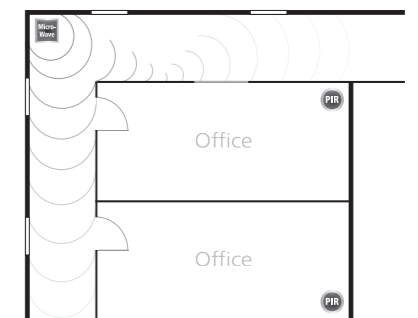
See Technical pages 48-56 for wiring diagrams.

01 When using PIRs in long corridors or spaces, there is often a need to position them every 6 to 8 metres. This incurs additional cabling, labour and connection costs at install. Maintenance costs over time are also increased from a PPM perspective as there are more devices to check and maintain.

02 With the Elkay Microwave detector 380A-1 mounted on the wall only one device is needed to cover areas up to 30 metres with lateral cover provided for up to 8 metres which increases overall flexibility. Microwave Detectors reduce cabling, connection, labour and future PPM costs simply because fewer detectors are needed. They can be mounted from 1.2 to 2.5m in height and should be wall mounted for best effect. They can also be used in hi bay lamps that are PL types or hot re-strike luminaires.



01



02



## TIMERS & SWITCHES

### Remote timer



#### Description

The remote timer is ideal for use with an Elkay Activator switch and other retractive or momentary activated switches. It is also useful where the time adjustment is to be protected from end users making unauthorised timing alterations. This intelligent unit provides variable timing selection via-dip switch selection. The unit has a blank faceplate and is therefore tamper proof.

The Remote Timer is designed for general purpose loads, which enables it to be used on a variety of applications from lighting through to heating and ventilation. As it can be connected to a wide variety of activator or momentary switches, it provides installers with a large choice of activating switch. On installation the timing delay can be set for periods of between 2 minutes and 2 hours.

Part No.	Type	Configuration	Finish	Rating
320A-1	Remote timer	3 Wire	White	16A-240V

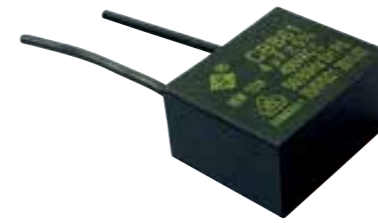
See Technical pages 48-56 for wiring diagrams.

#### Key features:

- 16A any load type (requires Capacitor PFCC-1 for all types of low wattage and LED loads and Contactor)
- For general purpose loads including resistive loads and incandescent / fluorescent lighting
- 3 wire (Live, switch live and neutral required)
- Can be interlinked with Elkay Activator, Retractive or Momentary Switches
- Clip on front plate 8mm deep
- Fits into 25mm depth back boxes
- Time settings from 2 mins to 2 hours

## TIMERS & SWITCHES

### Accessories



Part No.	Type
PFCC-1	Power factor correction capacitor

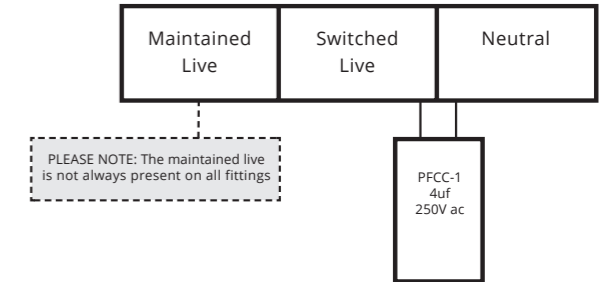
In addition all 2 wire switches without a neutral will need a capacitor in circuit. ITEM IS SOLD SEPARATELY.

#### Description

The PFCC-1 Capacitor is designed to assist in switching low wattage and low voltage loads.

The Capacitor MUST be fitted with the following types of load:

- Low voltage
- Low wattage
- LED loads
- Contactors



Wall mount box



Wall spacer plate

#### Description

Designed to fit between a switch or timer and the wall where standard 16mm cavity boxes have already been installed, saving installation time and not having to replace cavity back box with a 25mm deep box.

The Wall Mount Box is recommended for surface mounting of the Elkay range.

Part No.	Type	Finish
210A-1	Wall mount box	White
220A-1	Wall spacer plate	White
230A-1	Ceiling surface mount cup	White



Ceiling surface mount cup



## STYLE ILLUMINATED

### Introduction

Contemporary range of timers and sensors to complement your lifestyle

Offering a unique range of energy management products, incorporating 'state-of-the-art electronics', from intelligent pushbutton timers through to the fully programmable customlight, energystyle offers the most advanced and stylish solution to energy management.

With contemporary brushed stainless steel faceplates to complement today's wiring accessories, all the models in the range have the ability to be retrofitted are easy to install.

With a wide range of applications energystyle represents intelligent solutions and multi-functionality in both commercial and domestic settings.



750A-2 Illuminated Push Button Timer  
3 wire Master Brushed Stainless Steel



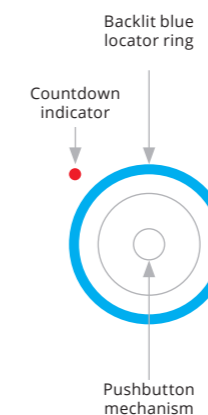
760A-2 Illuminated Touch Timer 3  
wire Master Brushed Stainless Steel



770A-2 Illuminated PIR Timer 3 wire  
Master Brushed Stainless Steel

## STYLE ILLUMINATED

Electronic time delay switch - pushbutton



### Description

A stylish, electronic time delay switch for lighting and other power use, the pushbutton timer can replace an existing switch to provide energy saving functionality by timing lighting and power sources off to avoid unnecessary power usage. This intelligent unit provides variable timing selection, with a backlit blue neon indicator ring also aiding location in the dark. It also has the ability to latch back on to the mains power supply and reset in the event of a power cut.

With styling suitable for use within the most contemporary commercial and domestic installations, the one touch pushbutton timer is available as a 2 wire, 3 wire and activator switch options for multiple way applications.

Part No.	Type	Configuration	Finish	Rating
750A-2*	Pushbutton timer	3 Wire	Flush plate	16A-240V

\*PFCC-1 Capacitor will often be required when switching certain types of load - see page 27 for full details or contact Elkay Technical.  
See Technical pages 48-56 for wiring diagrams.

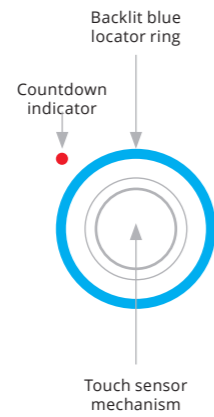
### Key features:

- For general purpose loads including resistive loads Led and incandescent/flourescent lighting
- Stylish stainless steel flush plate
- Re-trigger function
- Concealed fixing screws
- Last minute indicator
- Time cancellation functions
- 16A any load type (requires Capacitor PFCC-1 for all types of low wattage loads and LED lighting)
- 3 wire (Live, switch live and neutral required)
- Blue Locator ring
- Fits into 25mm depth back box (IP66 back boxes provided)
- Time settings from 2 mins to 2 hours



## STYLE ILLUMINATED

### Electronic time delay switch - touchtimer



#### Description

The energystyle touchtimer offers superb functionality and energy saving features with the lightest of touches.

The contemporary design is ideal in rooms around the home reducing energy output and providing cost savings.

Variable timing selection, a backlit blue neon indicator ring and automatic reset are all part of this feature-packed device. It is also suitable for multi-way applications with 2 wire, 3 wire and slave switch options.

Part No.	Type	Configuration	Finish	Rating
760A-2*	Touchtimer	3 Wire	Flush plate	16A-240V

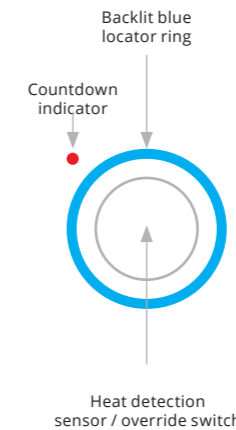
\*PFCC-1 Capacitor will often be required when switching certain types of load - see page 27 for full details or contact Elkay Technical. See Technical pages 48-56 for wiring diagrams.

#### Key features:

- Stylish stainless steel flush plate
- For general purpose loads including resistive loads and incandescent/fluorescent lighting
- Re-trigger function
- Consealed fixing screws
- Last minute indicator
- Time cancellation functions
- Featherlight touch
- 16A any load type
- Time cancellation functions
- Blue Locator ring
- Time settings from 2 mins to 2 hours

## STYLE ILLUMINATED

### Passive Infra Red (PIR) timer switch



#### Description

For the ultimate in reliability this stylish, slimline pirtimer is activated on detection of moving body heat.

The pirtimer is a fully automatic device which controls lighting and other loads through the detection of moving body heat, providing a contemporary solution to energy saving. The contemporary commercial and domestic decor. An internal light sensor can be adjusted to keep the lighting increasing the energy saving potential of the pirtimer.

Part No.	Type	Configuration	Finish	Rating
770A-2*	PIR timer	3 Wire	Flush plate	10A-240V

\*PFCC-1 Capacitor will often be required when switching certain types of load - see page 27 for full details or contact Elkay Technical. See Technical pages 48-56 for wiring diagrams.

#### Key features:

- Passive Infra Red movement sensor
- Stylish stainless steel flush plate
- For general purpose loads including resistive loads and incandescent/fluorescent lighting
- Re-trigger function
- Consealed fixing screws
- Last minute indicator
- Override switch functionality, incorporating time delay
- 16A any load type
- Blue Locator ring
- Manual override of the Lux Level setting
- Override OFF capability
- 360o detection utilising an elliptical beam
- 5 - 7 m detection range
- Time settings from 2 mins to 2 hours
- Timings start from last detection



## OUTDOOR TIMERS & SWITCHES

### Introduction

Energy saving can now be extended to suit your outdoor requirements.

With this trusted range of Outdoor Timers & Switches, ambient and security lighting and power applications can be timer controlled in outdoor environments including parking areas and gardens.

Designed to give an IP rating of IP66, the easy to fit products are supplied complete with an enclosure, mounting screws, nylon washers and screw cover seals and are suitable for use with IP rated SWA, M20 cable glands or ATS Flexible conduit systems.

Offering a choice of push button, touch and PIR giving functionality, style and durability to outdoor energy saving.



Outdoor PIR timer



Outdoor Touch timer



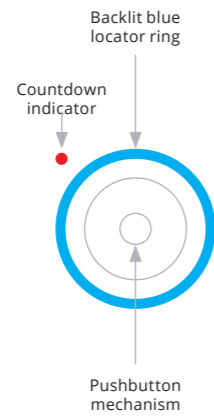
Outdoor standard pushbutton timer





## OUTDOOR TIMERS & SWITCHES

### Outdoor illuminated pushbutton timer



#### Description

The Outdoor Pushbutton Timer provides an electronic time delay switch for lighting and other power uses in outdoor environments. Ideal for use in driveways, gardens and patio areas. This easy to fit and highly cost effective unit offers energy saving functionality by turning lighting and power sources off to avoid unnecessary power usage.

Featuring a backlit blue neon indicator ring to aid location in the dark, these intelligent units have the ability to latch back on to the mains power supply and reset in the event of a power cut. The unit is supplied with a surface mounted back box with knockouts on five faces, mounting screws and screw cover seals.

Part No.	Type	Configuration	Finish	Rating
550A-1***	Outdoor illuminated pushbutton timer master	3 Wire	White	16A-240V

\*PFCC-1 Capacitor will often be required when switching certain types of load - see page 27 for full details or contact Elkay Technical.  
 \*\*Activators must be used with illuminated range and connected with 3 Core cables to Master unit. \*\*\*Activator unit required for multiway switching.  
 See Technical pages 48-56 for wiring diagrams.

#### Typical applications:

- For general purpose loads including resistive loads and incandescent, fluorescent and LED lighting
- 3 wire, commonly used to control all types of loads from lighting to heating and ventilation, such as outdoor patio or Infra red heaters
- It can also be used as a one way switch to control outdoor cupboard or store room lighting

#### Key features:

- Re-trigger function
- Time cancellation functions
- 16A any load type (requires Capacitor PFCC-1 for all types of low wattage loads and LED lighting)
- 3 wire (Live, switch live and neutral required)
- Blue Locator ring
- One minute countdown LED indicator
- Fits into 25mm depth back box (IP66 back boxes provided)
- Time settings from 2 mins to 2 hours
- Recommended connections are with IP rated Cable glands, IP rated SWA glands. It is advisable to use nylon sealing washers in connections to the box

## OUTDOOR TIMERS & SWITCHES

### Outdoor standard pushbutton timer



#### Description

The Outdoor Pushbutton Timer provides an electronic time delay switch for lighting and other power uses in outdoor environments. Ideal for use in driveways, gardens and patio areas. This easy to fit and highly cost effective unit offers energy saving functionality by timing lighting and power sources off to avoid unnecessary power usage.

The unit is supplied with a surface mounted back box with knockouts on five faces, nylon washers, mounting screws and screw cover seals.

Part No.	Type	Configuration	Finish	Rating
550B-3	Outdoor standard pushbutton timer	2 Wire* (for lighting only)	White	10A-240V
550B-1	Outdoor standard pushbutton timer	3 Wire	White	10A-240V

See Technical pages 48-56 for wiring diagrams.

#### Key features:

- 10A any load type
- Time cancellation functions
- Re-trigger function
- Time setting from 2 mins to 1 hour
- Recommended connections are with IP rated Cable glands, IP rated SWA glands. It is advisable to use nylon sealing washers in connections to the box

#### 550B-1

- 3 wire (Live, switch live and neutral required)
- Can be retrofitted into any type of wiring circuit with a neutral
- Can be interlinked with other 550B-1 time switches

#### Typical applications:

- The 550B-1 save energy by controlling the period of time the load is on and can be retrofitted into any type of circuit with a neutral. It can be interlinked in parallel to create multiple switching points to control lighting, electric pumps and other outdoor appliances such as outdoor patio or infrared heaters

#### 550B-3

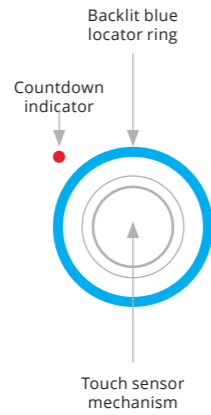
- 2 wire (Live and switch live required)
- No neutral required
- Can be interlinked with other 550B-3 time switches
- A 24 hour uninterrupted supply is required

#### Typical applications:

- The 550B-3 save energy by controlling the period of time that lighting loads are on and can be retrofitted into any type of lighting circuit. It can be interlinked in parallel to create multiple switching points

## OUTDOOR TIMERS & SWITCHES

### Outdoor illuminated touch timer



#### Description

The Outdoor Illuminated Touch Timer offers superb functionality and energy saving features with a subtle touch activation for a wide range of outdoor use.

The unit when used in outdoor environments offers increased reliability as a non-mechanical electronic unit. Knockouts on five faces, mounting screws and seal screw covers make for ease of installation. Variable timing selection, a backlit blue neon indicator ring and automatic reset are all part of this feature-packed device.

Part No.	Type	Configuration	Finish	Rating
560A-1	Outdoor illuminated touch timer master	3 Wire*	White	16A-240V

See Technical pages 48-56 for wiring diagrams.

#### Typical applications:

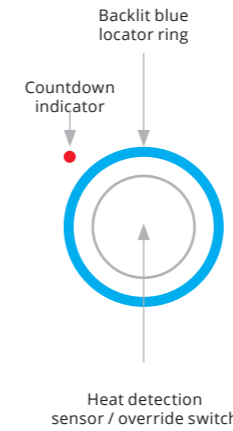
- Commonly used for outdoor patio or infrared heaters and where there is a neutral, to control all load types of lighting
- 3 wire (Live, switch live and neutral required)

#### Key features:

- 16A any load type
- Time cancellation functions
- Re-trigger function
- Blue Locator ring
- One minute countdown LED indicator
- Last minute indicator
- Time settings from 2 mins to 2 hours

## OUTDOOR TIMERS & SWITCHES

### Outdoor PIR timer



#### Description

The Outdoor Illuminated PIR Timer is a fully automatic device which controls various power loads through the detection of body heat. Activated by the detection of moving body heat, the lighting or power load will then stay on for a preset period of time. If body heat is no longer detected, the time period will elapse and the load will be switched off.

An internal light sensor will keep the lighting switched off when sufficient ambient light is available, further increasing the energy saving potential of the PIR Timer.

Part No.	Type	Configuration	Finish	Rating
570A-1	Outdoor PIR timer master	3 Wire*	White	16A-240V

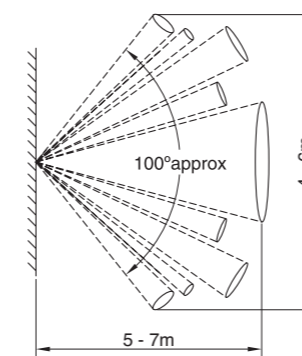
See Technical pages 48-56 for wiring diagrams.

#### Typical applications:

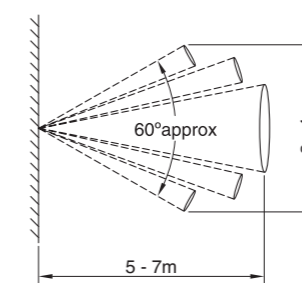
- Commonly used for lighting where there is a neutral, to control all load types such as fluorescent, resistive and LED loads
- 3 wire (Live, switch live and neutral required)

#### Key features:

- 16A any load type
- Blue Locator ring
- Manual override of the Lux Level setting
- Override OFF capability
- 360o detection utilising an elliptical beam
- 5 - 7 m detection range
- Time settings from 2 mins to 2 hours
- Timings start from last detection



Plan view



Side view



The DALI protocol is set out in the technical standards governed by the Digital Illumination Interface Alliance in association with member companies in industry working groups.



## DALI

### What is DALI?

DALI (Digital Addressable Lighting Interface) is a data protocol and transport mechanism that was jointly developed and specified by several manufacturers of lighting equipment.

It is essentially a network connected by a pair of cables and powered by a power supply. The common platform of DALI enables equipment from different manufacturers to be connected together. Elkay's DALI is designed to work with all DALI-compliant equipment displaying the DALI logo.

Put simply, DALI (digital addressable lighting interface) is a two-way communication system that brings digital technology to lighting.

An international standard for communication, DALI allows individual ballasts to "talk" to the user and allows the user to "talk" back via DALI controllers.

**DALI** is a testing and control system that offers both flexibility and reliability.

#### Bus wiring

In terms of wiring a DALI system also includes the bus wires that are used to connect together the DALI terminals of the various devices in the system:

- Standard 2-core cable (1.5mm<sup>2</sup>)
- 5-core cable possible to enable power and data
- Polarity free & free wiring topology
- maximum 64 devices per subnet (Hub/Routers)
- maximum 300m cabling
- maximum 250mA device consumption

#### Control devices

Control devices can provide information to other control devices and can send commands to control gear. Input devices are a type or a part of a control device that provides some information. Application controllers are also a type or a part of a control device and are the decision makers in a DALI system – for example, they can send commands to control gear to modify the lighting or test an emergency lighting system.

#### Bus power supplies

At least one bus power supply must be present in a DALI system. This is necessary to allow both communications on the bus, as well as to power any bus-powered devices. The bus power supply does not need to be a separate unit – it could be part of another device such as a DALI control unit or a KNX DALI gateway.

Elkay has 3 different power supply options. The central control DALI Touch screen panel, the Elkay power supply or the KNX DALI gateway. Only one power supply is needed in each network.

#### Control gear

Control gear usually contains the power control circuit to drive lamps, or some other type of output such as on/off switching.

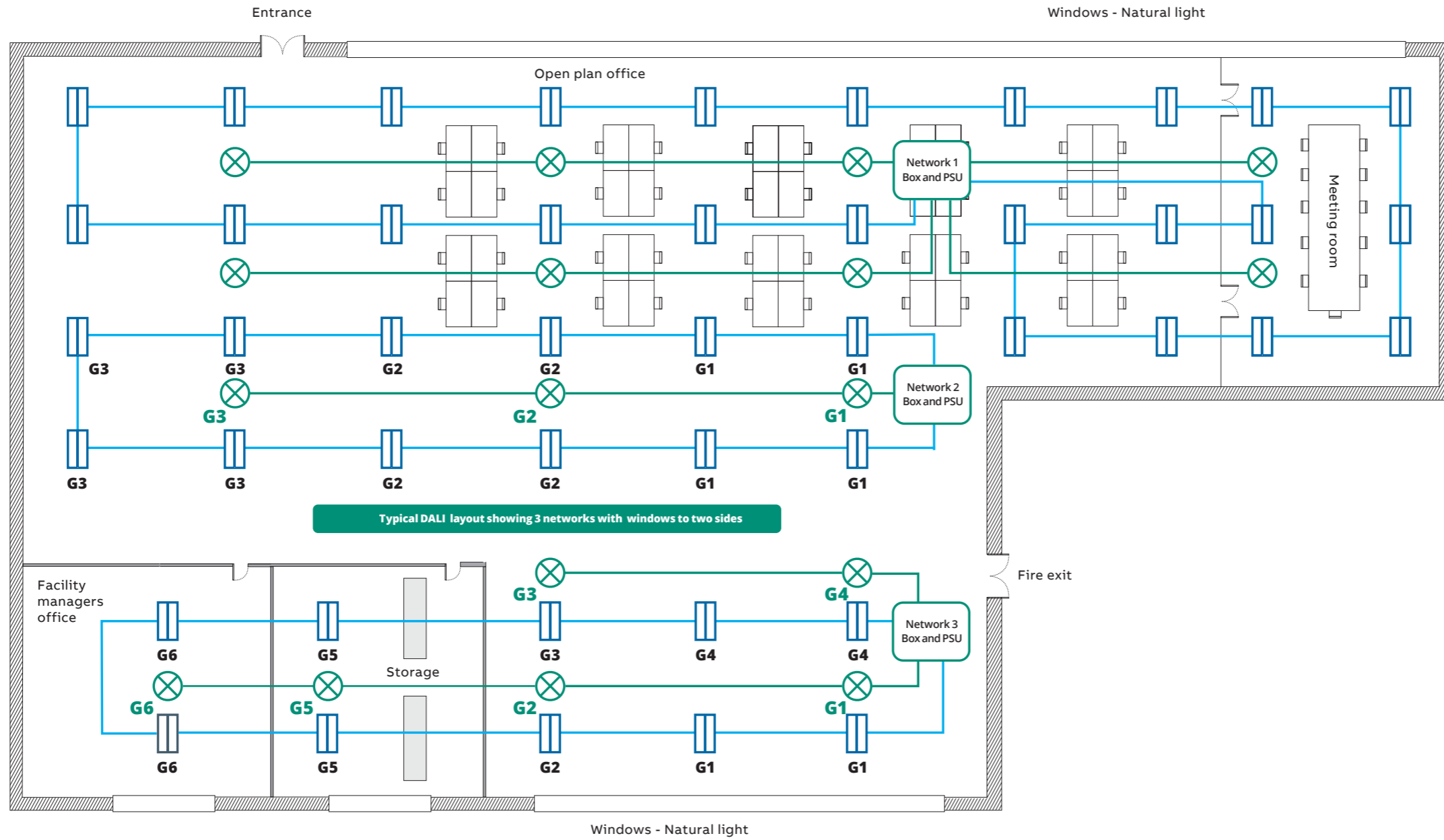




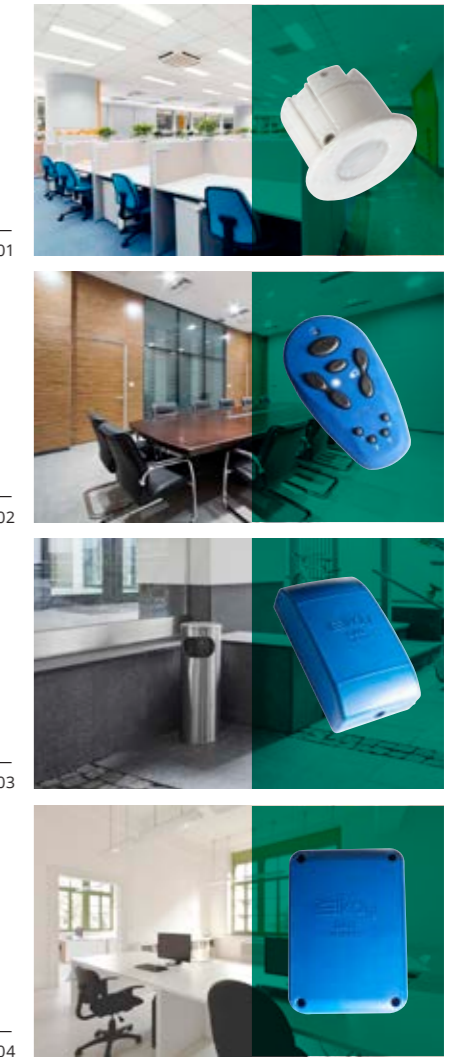
# ELKAY EASYDALI APPLICATION

## The easyDALi System

- 01 Open plan office
- 02 Meeting room
- 03 Outdoor area
- 04 Warehouse office



- Key**
- easyDALI PIR sensor
  - 5 core cable to fittings
  - 2 core cable to DALI sensors
  - DALI multi purpose box and power supply unit
  - Luminaire





## ELKAY EASYDALI RANGE

### easyDALi PIR



#### Description

The ceiling mounted Elkay easyDALi PIR has full DALI flexibility and is the intelligent sensor element of the Elkay easyDALi system, automatically addresses the lighting ballasts without the need for expensive controllers.

The ceiling mounted Elkay easyDALi PIR has full DALI flexibility and is the intelligent sensor element of the Elkay easyDALi system, automatically addressing the lighting ballasts without the need for expensive programming controllers.

The PIR is switched on by the detection of moving body heat within a specified range. When this moving body heat is no longer detected the unit will dim down the luminaires and eventually switch off. It will also automatically harvest available daylight to maximise energy savings.

With the dual purpose remote control it is possible to set dimming time delays and Room and Corridor options. There are also helpful coloured feedback LEDs to make programming easier.

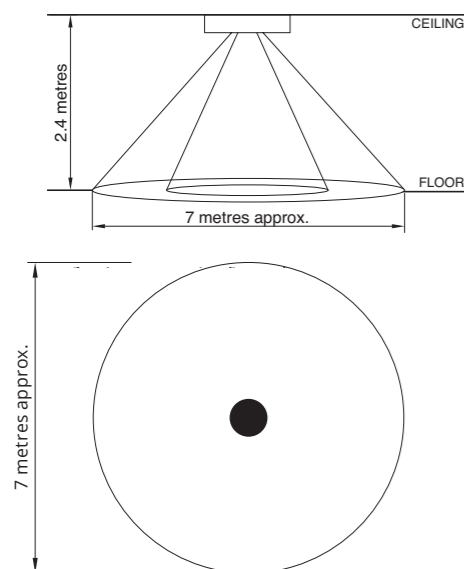
#### Key features:

- Presence and absence detection
- Automatic daylight harvesting
- Settable time modes including 4 room options and 4 corridor options
- Basic Luminaire set up without commissioning tools
- Broadcast and group functions
- Manual Lux Level and sensitivity control
- Walk Test mode
- 360o Detection
- 6-7m detection range
- Coloured feedback LEDs
- Can control LED and fluorescent DALI luminaires
- Lifetime adjustment with dual purpose remote control

#### Typical applications:

- Suitable for commercial and institutional DALI lighting applications

Part No.	Type	Finish
374-CMIRDALI	easyDALi PIR	White



Ceiling mount PIR sensor detection diagram

## ELKAY EASYDALI RANGE

### easyDALi remote control



#### Description

The Elkay easyDALi remote control is an ergonomic hand held device to program and adjust sensors in the Elkay easyDALi range.

Consisting of eight soft touch buttons to control the Elkay easyDALi PIR, It can program basic installation and commissioning functionality. It also has a hidden button that changes the remote control from user mode to Installer Mode

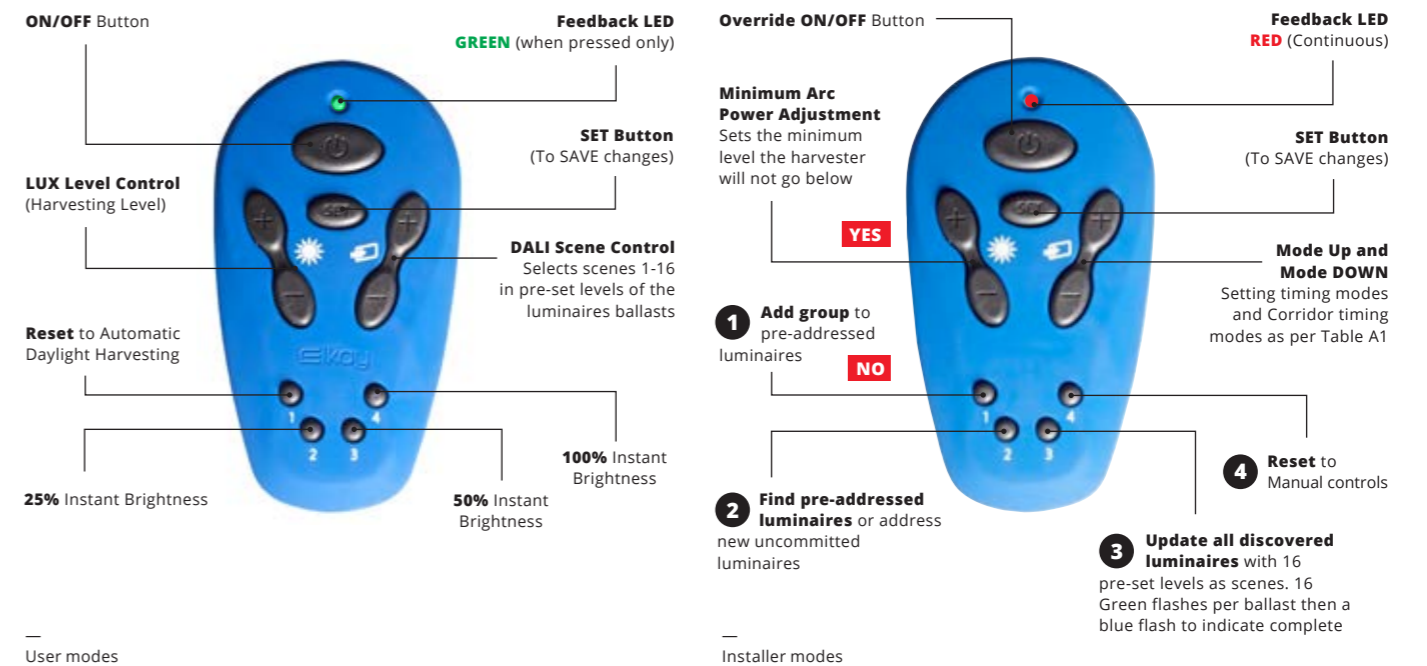
#### Key features:

- Dual purpose DALI Remote Control
- For use with Elkay easyDALi system
- User mode for day to day control
- Override on/off
- Illumination adjustment
- Scene selection
- Fixed illumination settings
- Reset to daylight harvesting
- 25% brightness level
- 50% brightness level
- 100% brightness level
- Installer configuration tools

#### Typical applications:

- Suitable for commercial and institutional DALI lighting applications

Part No.	Type	Finish
374-DREM	DALI remote controller	Grey



## ELKAY EASYDALI RANGE

### easyDALi multi-purpose box & power supply unit



**Typical applications:**

- For use with Elkay easyDALi system
- Suitable for lighting commercial and institutional applications luminaires

**Description**

The Multi-Purpose Box gives installers maximum flexibility and true freedom in building a DALI system by allowing them to use their OWN cable choice without needing expensive connectors. the box allows the installer to either use it to connect up multiple strings of DALI PIRS OR allows them to connect up to 10A of lighting loads or use it for both.

**Key features:**

- DALI Multi-Purpose Box for maximum connection flexibility
- Connects up multiple strings of DALI PIRS and lighting
- Maximum 10A rating per box
- 8 Multiple connections per box
- Connects power supply for Elkay easyDALi network
- Can control LED and fluorescent DALI luminaires

Part No.	Type	Finish
374-DMBOX	DALI multi-purpose box	Grey



**Description**

Essential to power the network of easyDALi PIR sensors and DALI luminaire ballasts connected into the system.

**Key features:**

- For use with Elkay easyDALi system
- Powers DALI network of PIRS and lighting ballasts
- Thermal and overload protection
- Connected to multi-purpose connection box
- 18V d.c. 250mA

**Typical applications:**

- For use with Elkay easyDALi system
- Suitable for lighting commercial and institutional applications

Part No.	Type	Finish
374-PSU	DALI power supply unit	Grey

## ELKAY EASYDALI RANGE

### Product specification and data



The Elkay easyDALi PIR needs only four elements to build a system:

	Elkay easyDALi PIR	Elkay easyDALi dual purpose remote control	Elkay easyDALi power supply	Elkay easyDALi multi-purpose box
<b>Part No.</b>	374-CMPIRDALI	374-DREM	374-PSU	374-DMBOX
<b>Features</b>	<ul style="list-style-type: none"> <li>- Presence and Absence Detection</li> <li>- Automatic Daylight Harvesting</li> <li>- Settable Time Modes including 4 Room Options and 4 Corridor Options</li> <li>- Basic Luminaire set up without commissioning tools</li> <li>- Broadcast and Group Functions</li> <li>- Manual Lux Level and Sensitivity Control</li> <li>- Walk Test</li> <li>- 360o Detection</li> <li>- 6-7m detection range</li> <li>- Coloured Feedback LEDs</li> <li>- Can control LED and fluorescent DALI luminaires</li> </ul>	<ul style="list-style-type: none"> <li>- Dual Purpose control options for End user and Installers</li> <li>- Sets all non-default functions</li> <li>- Sets Timing Room Modes and Corridor Modes</li> <li>- Sets Min Arc Levels</li> <li>- 25%, 50% and 100% brightness pre sets</li> <li>- Override Functions</li> <li>- Remote Lux Control</li> <li>- Remote Feedback LEDs</li> <li>- 3 x AAA Batteries supplied</li> </ul>	<ul style="list-style-type: none"> <li>- For use with Elkay easyDALi system</li> <li>- Powers DALI network of PIRS and lighting ballasts</li> <li>- Thermal and overload protection</li> <li>- Connected to multi-purpose connection box</li> <li>- 18V d.c. 250mA</li> </ul>	<ul style="list-style-type: none"> <li>- Maximum 10A rating perbox</li> <li>- 8 Multiple connections per box</li> <li>- Connects power supply for Elkay easyDALi network</li> <li>- Can control LED and fluorescent DALI luminaires</li> </ul>



# ELKAY

## DIN Rail Timers

Elkay have a range of time-saving DIN rail mounted timers with multiple options that offers exciting new functionality for a host of applications. From Star Delta timers to the Multi- function timers, Elkay DIN rail timers offer the maximum choice and flexibility whether you are controlling large motors or complex ON/OFF timing of electrical loads.

Made from Polyamide 6,6 and easily mountable on TS 35 DIN rails, our products are slim, space saving and accurate. They feature a variety of modes and time ranges designed to meet the modern demands placed on todays industrial and commercial electricians and facility managers in all manner of commercial and industrial environments.

Modes include ON delay, OFF delay, Interval, Cyclic equal OFF first, Cyclic equal ON first, pulse outputs, Delay on break, Delay on make, Interval after break, Single shot, Re-triggerable single shot, Latching relay and both Delay and Interval with totalise modes.

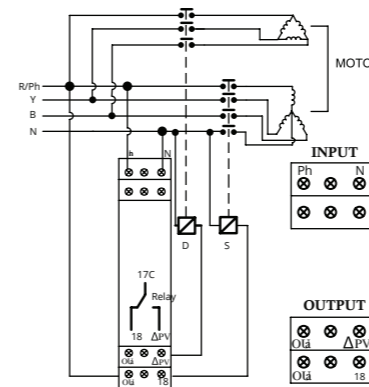
Timings include from 0.1 seconds up to 3 hrs in up to 10 timing range combinations and are easily set from the front where red and green LEDs display the status of the timer at all times.



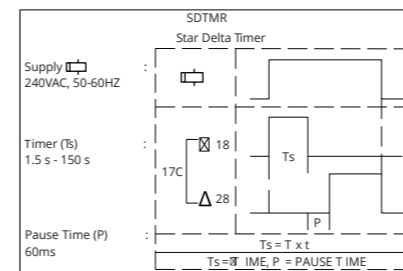
Star Delta SDTMR      On Delay Timer ODTMR      Off Delay Timer OFFDTMR      Multi Function Timer M5TMR      Multi Function Timer MXTMR

## TIMERS

### Star Delta Timer (SDTMR)



#### • Functional diagram



#### Application

Elkay make SDTMR is used with Star Delta starters and provides desired monitoring and control in Motor operations

#### Salient Features:

- 17.5 mm DIN Rail Mount.
- SPDT Relay Output.
- Green LED for Star mode Indicator
- Red LED for Delta mode Indication

#### • Technical specification

##### Supply Voltage

Supply Voltage Ph-N	220 / 230 / 240 V
Frequency Range	50 - 60 Hz
Power Consumption	15 VA Max

##### Delays

Delta mode on time delay (Ts)	1.5 sec to 150 sec
Pause Timing (P)	60 ms

##### Output Specification

Output Contact	SPDT
Contact Detail	1A @ 125VAC / 2A @ 30VDC

##### LED Indication

Star mode indication	3 mm Green LED
Delta mode indication	3 mm Red LED

##### Housing

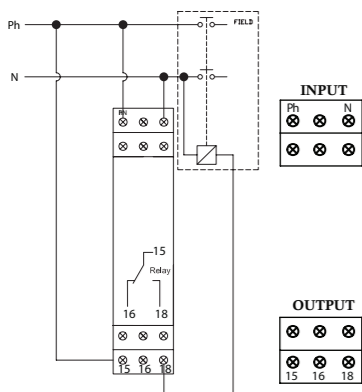
Material	Polyamide 6,6
Colour	Grey
Dimension	90 x 56.4 x 17.5
Mounting	TS 35 DIN Rail

## TIMERS

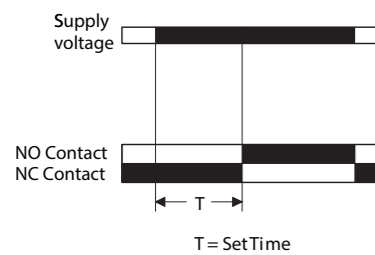
### On Delay Timer (ODTMR)



#### • Connection diagram



#### • Functional diagram



#### Application

Elkay On Delay Timer is used for facilitating simple, reliable and economical control for definite purpose solution in industrial application or in OEMs.

#### Salient Features:

- 17.5 mm DIN Rail Mount
- On Delay
- 10 Time Ranges
- Front knobs for Time Range & Time Scale
- Slim, Space Saving Design

#### • Technical specification

##### Supply Voltage

Supply Voltage Ph-N	240V AC
Frequency Range	50 - 60 Hz
Power Consumption	12VA Max

##### Output Specification

Output Contact	SPDT (1C/O)
Contact Detail	NO/5A, NC/3A @ 250V AC

##### Input Specifications

Accuracy	Settings: $\pm 5\%$ of F.S. Repeat: $\pm 0.5\%$ (F.S.=FullScale)
Reset	Reset time < 100msec

##### Functional Specifications

Mode	On Delay
Time Ranges	0.1 - 1sec, 0.3 - 3sec 1 - 10sec, 3 - 30sec, 0.1 - 1min 0.3 - 3 min, 1 - 10min 3 - 30 min, 0.1 - 1 hr, 0.3 - 3hr

##### Environmental Specifications

Temperature	Operating: 0 to 50 C (32 to 122 F) Storage: -20 to 75 C (-4 to 167 F)
Humidity (non-condensing)	95% RH

##### Mounting

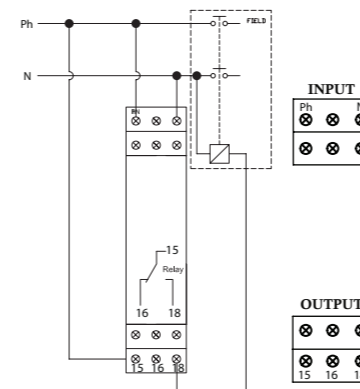
Material	Polyamide 6,6
Colour	Grey
Dimension	90x56.4x17.5
Mounting	TS 35 DIN Rail

## TIMERS

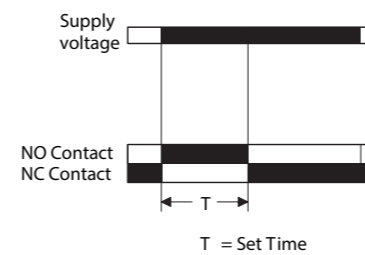
### Off Delay Timer (OFFDTMR)



#### • Connection diagram



#### • Functional diagram



#### Application

Elkay Off Delay Timer is used for facilitating simple, reliable and economical control for definite purpose solution in industrial application or in OEMs.

#### Salient Features:

- 17.5 mm DIN Rail Mount.
- Off delay
- 10 Time Ranges.
- Front knobs for Time Range & Time Scale
- Slim, Space Saving Design

#### • Technical specification

##### Supply Voltage

Supply Voltage Ph-N	240V AC
Frequency Range	50 - 60 Hz
Power Consumption	12VA Max

##### Output Specification

Output Contact	SPDT (1C/O)
Contact Detail	NO/5A, NC/3A @ 250V AC

##### Input Specifications

Accuracy	Settings: $\pm 5\%$ of F.S. Repeat: $\pm 0.5\%$ (F.S.=FullScale)
Reset	Reset time < 100msec

##### Functional Specifications

Mode	Off Delay
Time Ranges	0.1 - 1sec, 0.3 - 3sec 1 - 10sec, 3 - 30sec, 0.1 - 1min 0.3 - 3 min, 1 - 10min 3 - 30 min, 0.1 - 1 hr, 0.3 - 3hr

##### Environmental Specifications

Temperature	Operating: 0 to 50 C (32 to 122 F) Storage: -20 to 75 C (-4 to 167 F)
Humidity (non-condensing)	95% RH

##### Mounting

Material	Polyamide 6,6
Colour	Grey
Dimension	90x56.4x17.5
Mounting	TS 35 DIN Rail

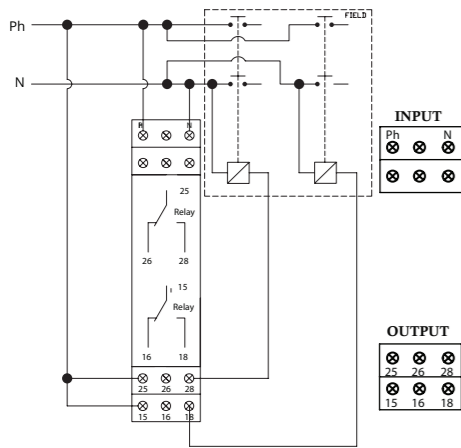


## TIMERS

### Multi Function Timer (M5TMR)



#### • Connection diagram



#### Application

Multi-Function Timer is used for facilitating simple, reliable and economical control for definite purpose solution in industrial application or in OEMs.

#### Salient Features:

- 17.5 mm DIN Rail Mount
- 5 Function.
- 10 Time Ranges
- Front knobs for Time Range & Time Scale
- Slim, Space Saving Design

#### • Technical specification

##### Supply Voltage

Supply Voltage Ph-N 240V AC

Frequency Range 50 - 60 Hz

Power Consumption 12VA Max

##### Output Specification

Output Contact DPDT (2 C/O)

Contact Detail NO/5A, NC/3A@250V AC

##### Input Specifications

Accuracy Settings:  $\pm 5\%$  of F.S.

Repeat:  $\pm 0.5\%$  (F.S.=FullScale)

Reset time < 100msec

##### Functional Specifications

On Delay (A)

Interval (B)

Cyclic equal OFF first (C)

Cyclic equal ON first (CI)

Pulse output (D)

0.1 - 1sec, 0.3 - 3sec

1 - 10sec, 3 - 30sec, 0.1 - 1min

0.3 - 3 min, 1 - 10min

3 - 30 min, 0.1 - 1 hr, 0.3 - 3hr

##### Environmental Specifications

Temperature Operating: 0 to 50 C (32 to 122 F)

Storage: -20 to 75 C (-4 to 167 F)

Humidity (non-condensing) 95% RH

##### Mounting

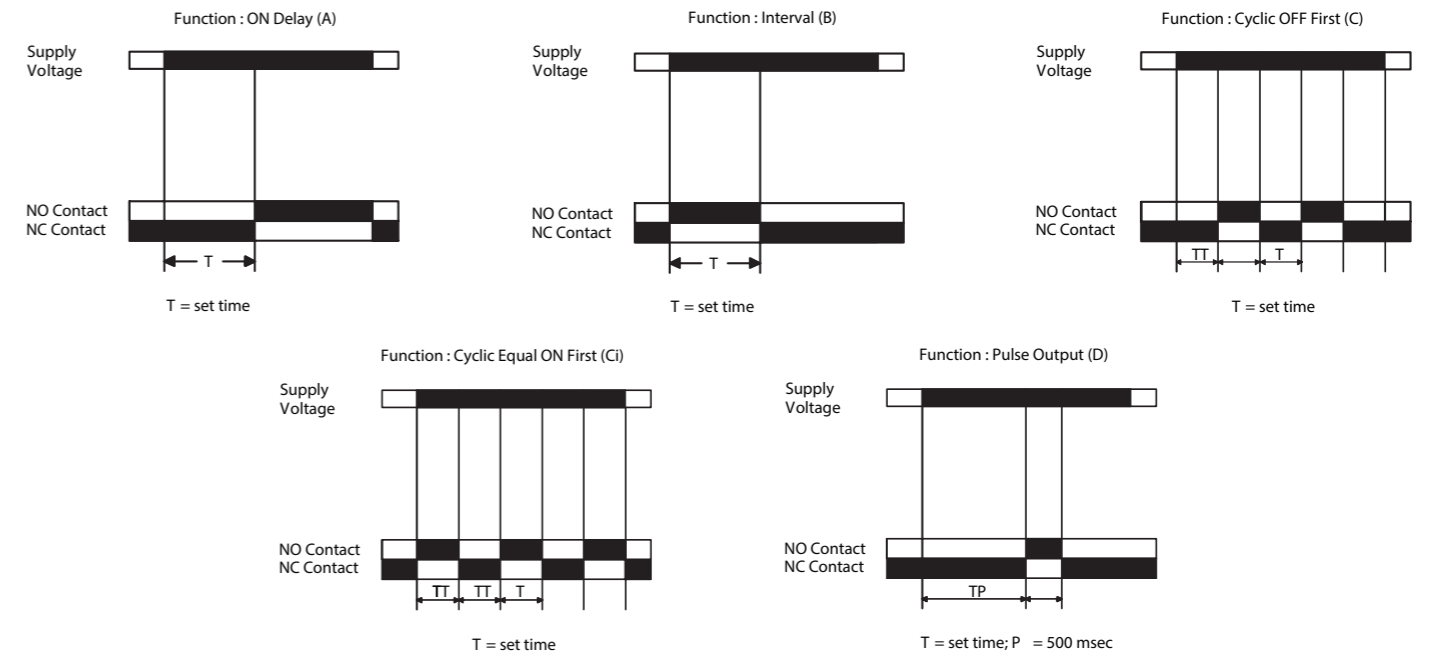
Material Polyamide 6,6

Colour Grey

Dimension 90x56.4x17.5

Mounting TS 35 DIN Rail

#### • Functional diagrams

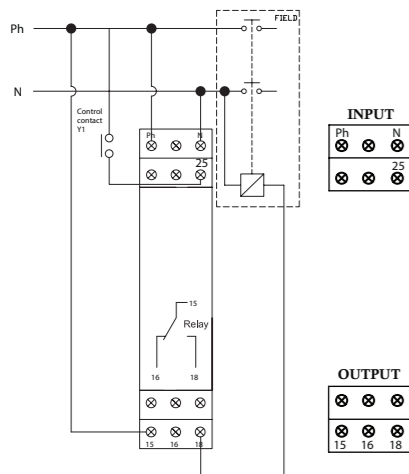


# TIMERS

## Multi Function Timer (MXTMR)



### • Connection diagram



### Application

Elkay Multi Function Timer is used for facilitating simple, reliable and economical control for definite purpose solution in industrial application or in OEMs.

### Salient Features:

- 17.5 mm DIN Rail Mount
- 13 Function
- 10 Time Ranges
- Front knobs for Time Range & Time Scale
- Slim, Space Saving Design

### • Technical specification

Supply Voltage	
Supply Voltage Ph-N	240V AC
Frequency Range	50 - 60 Hz
Power Consumption	12VA Max
Output Specification	
Output Contact	SPDT(1C/O)
Contact Detail	NO/5A,NC/3A@250V AC

### Input Specifications

Accuracy	Settings: ±5% of F.S. Repeat: ±0.5% (F.S.=FullScale)
Reset	Reset time<100msec

### Functional Specifications

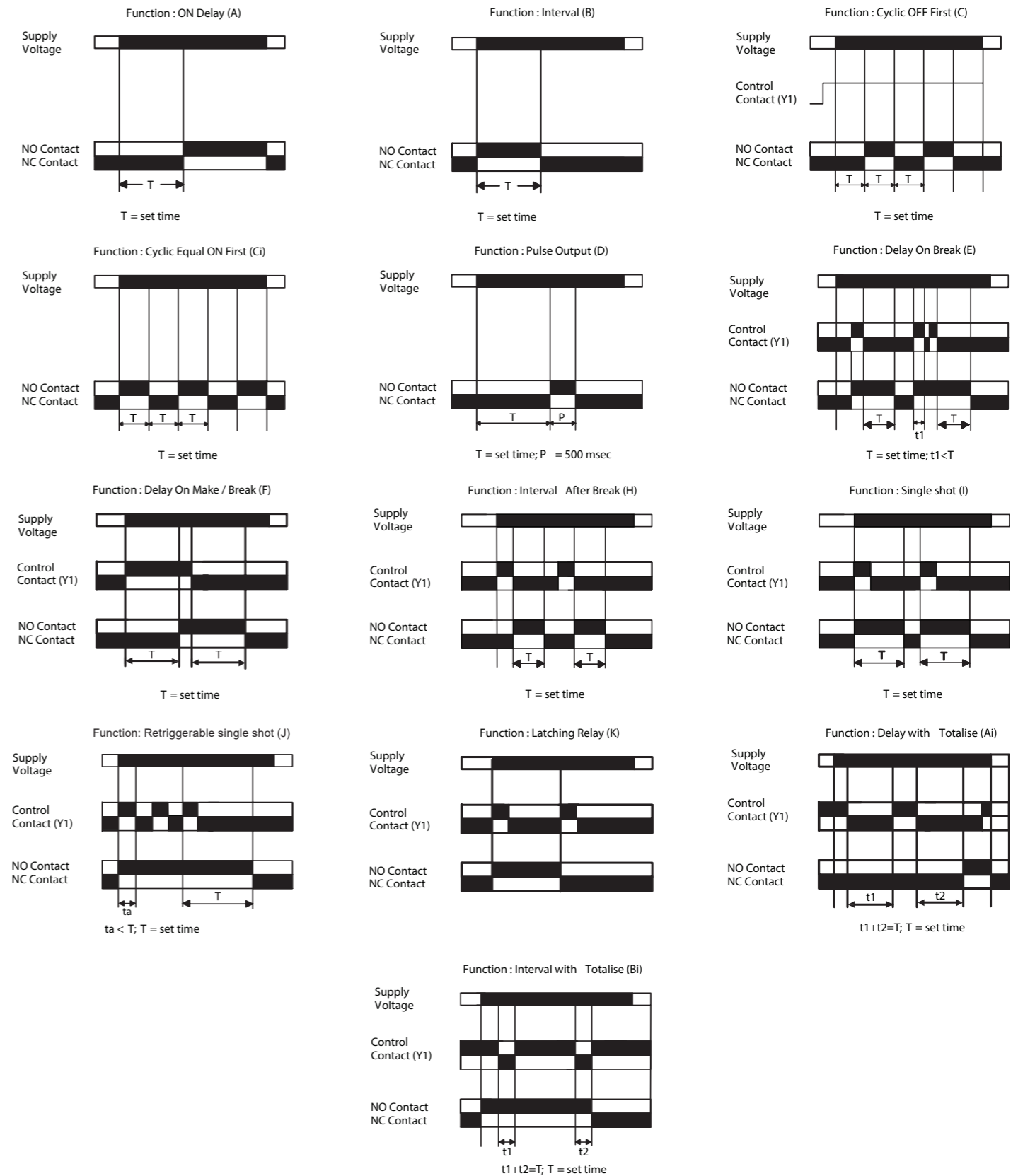
Modes	On Delay (A) Interval (B) Cyclic equal OFF first (C) Cyclic equal ON first (CI) Pulse output (D) Delay on break (E) Delay on make / Break (F) Interval after break (H) Single Shot (I) Retriggerable Single shot(J) Latching Relay (K) Delay with Totalise (Ai) Interval with Totalise (Bi)
Time Ranges	0.1 - 1sec, 0.3 - 3sec 1 - 10sec, 3 - 30sec, 0.1 - 1min 0.3 - 3 min, 1 - 10min 3 - 30 min, 0.1 - 1 hr, 0.3 - 3hr

### Environmental Specifications

Temperature	Operating: 0 to 50 C (32 to 122 F) Storage: -20 to 75 C (-4 to 167 F)
Humidity (non-condensing)	95% RH

Material	Polyamide 6,6
Colour	Grey
Dimension	90x56.4x17.5
Mounting	TS 35 DIN Rail

### • Functional diagrams



## TECHNICAL

### Wiring diagrams

01 Typical circuit for corridor lighting (i.e. Lights will stay on until last timer goes off).

02 Typical circuit for staircase lighting where the Live and Switch Live are at different positions.

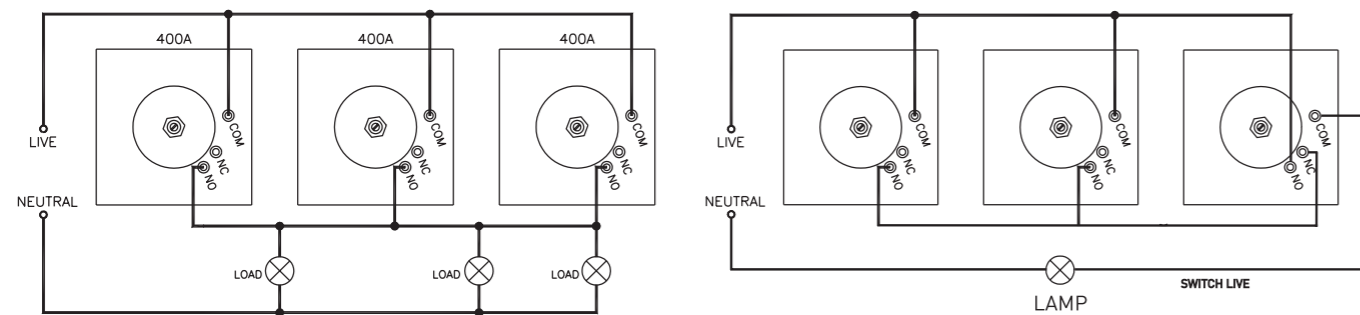
03 Typical circuit for corridor lighting (i.e. Lights will stay on until last timer goes off).

#### Columbus® pneumatic timer

**Columbus® pneumatic timer fitting**  
 400A Single contact push button timer  
 400A-3 Double contact push button timer

#### Rating at 240V a.c.

- Incandescent 6A
- Compact Fluorescent 3A
- Resistive 6A (max 6 Fittings)
- Time Delay 5sec - 5min
- Fluorescent 3A (max 6 Fittings)

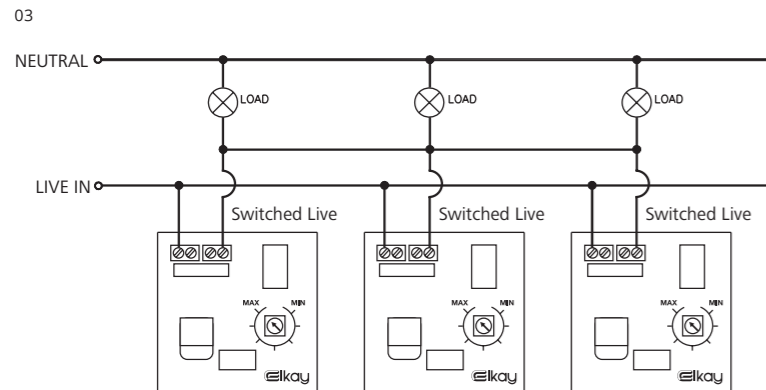


01

02

#### Columbus® electronic timer

**Columbus® electronic timer fitting**  
 400E



03

#### Rating at 240V a.c.

- 5A All load types

**NOTE:** Capacitor will be required when switching compact fluorescent or very low power lighting. For example: 2D fittings, energy saving lamps, LEDs or any low power consuming loads and must be used across contactors.

#### IMPORTANT NOTICE:

All wiring should be carried out by a competent person or a qualified Electrician in accordance with the current IET Wiring Regulations. If you believe the unit is faulty call Elkay technical on +44(0)28 9061 6505 or return to place of purchase.

## TECHNICAL

### Wiring diagrams

01 3748-1 / 374B-1FPC Wiring diagram.

02 Ceiling mount PIR sensor detection diagram.

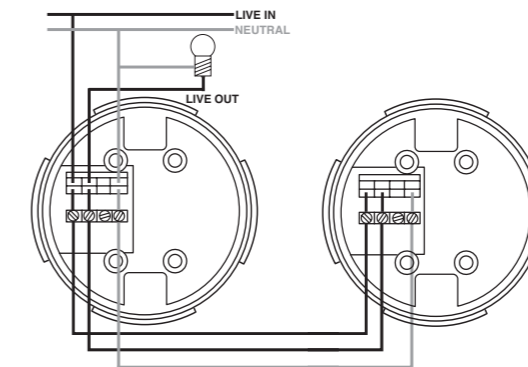
03 320A-1 Wiring diagram.

#### Ceiling mount PIR - 3 Wire

**Ceiling mount PIR fitting - 3 Wire\***  
 374B-1, 374B-1FPC

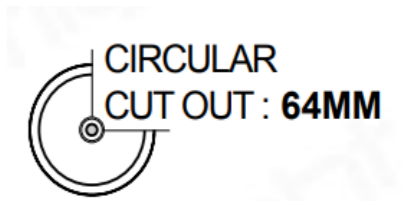
#### Rating at 240V a.c.

- 10A



01

02



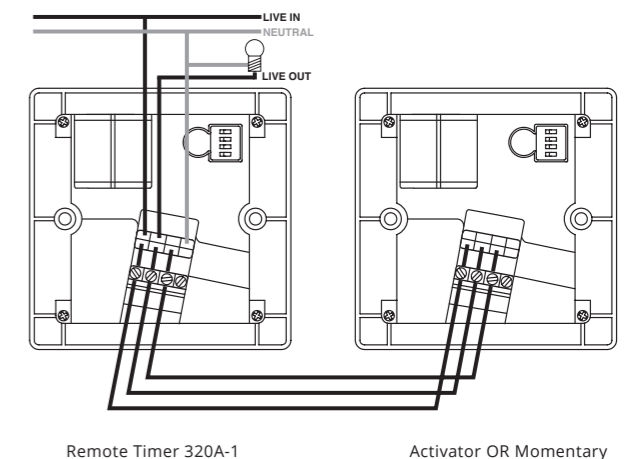
#### Remote timer

**Remote timer fitting/ Activator fitting - 3 Wire\***  
 320A-1

#### Rating at 240V a.c.

- All load types 16A
- Time Delay 2min - 2h
- Activator options (350A-3, 360A-3, 376A-3)
- Momentary switches can also be used with Remote Timer

**NOTE:** Can also be used with momentary switches. Contact Elkay technical for details +44(0)28 9061 6505,



03

\* See page 45 for 3 Wire dipswitches.

#### IMPORTANT NOTICE:

All wiring should be carried out by a competent person or a qualified Electrician in accordance with the current IET Wiring Regulations. If you believe the unit is faulty call Elkay technical on +44(0)28 9061 6505 or return to place of purchase.



## TECHNICAL

### Wiring diagrams

01 PIR timer wiring diagram.

02 Plan view.

03 Side view.

04 Illuminated pushbutton / touch timer wiring diagram.

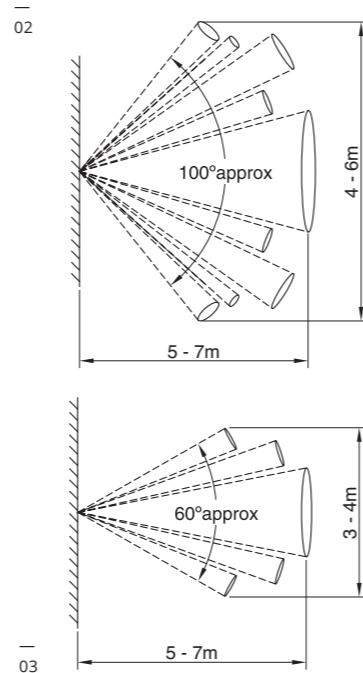
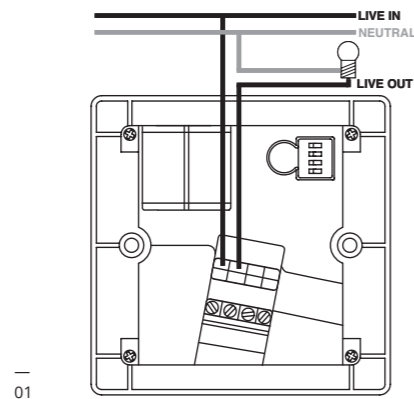
#### Illuminated PIR timer - 2 Wire

##### PIR timer fitting - 2 Wire\*

376A-1

##### Rating at 240V a.c.

- 16A
- Time Delay 2min - 2h



#### Illuminated pushbutton / touch timer - 2 Wire

##### Pushbutton / touch timer fitting (illuminated) - 2 Wire\*

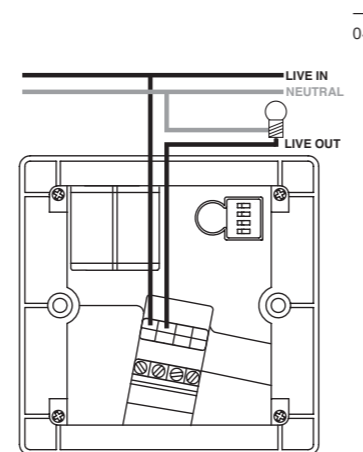
350A-1, 360A-1

##### Rating at 240V a.c.

- 16A
- Time Delay 2min - 2h

##### Power factor correction capacitor (PFCC-1)

When using 2 wire units with compact fluorescent or very low power lighting a power factor correction capacitor of 4 microfarads will often be required.



\* See page 45 for 2 Wire dipswitches.

\*\* See page 46 for 3 Wire dipswitches.

##### IMPORTANT NOTICE:

All wiring should be carried out by a competent person or a qualified Electrician in accordance with the current IET Wiring Regulations. If you believe the unit is faulty call Elkay technical on +44(0)28 9061 6505 or return to place of purchase..

## TECHNICAL

### Wiring diagrams

01 PIR timer wiring diagram.

02 Plan view.

03 Side view.

04 Illuminated pushbutton / touch timer wiring diagram.

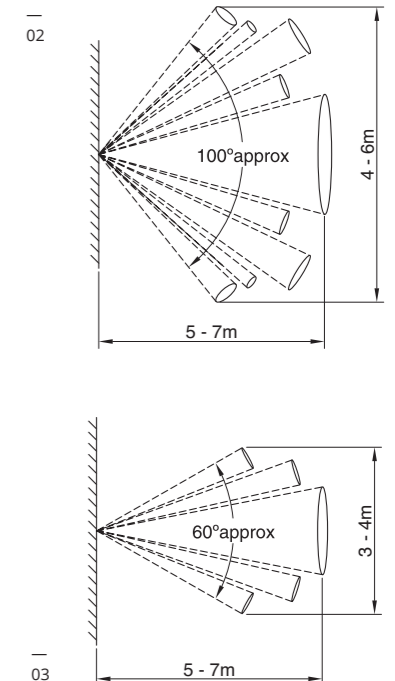
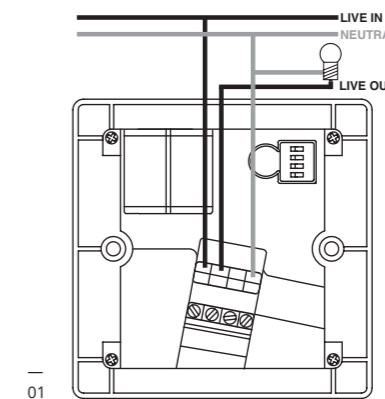
#### Illuminated PIR timer - 3 Wire

##### PIR timer fitting - 3 Wire\*\*

370A-1, 570A-1

##### Rating at 240V a.c.

- 16A
- Time Delay 2min - 2h



#### Illuminated pushbutton / touch timer - 3 Wire

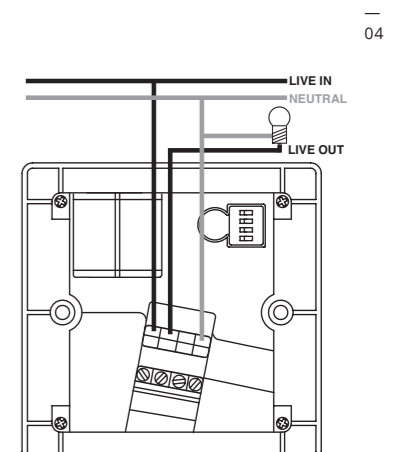
##### Pushbutton / touch timer fitting (illuminated) - 3 Wire\*

3875A-1, 2235A-1, 550A-1, 560A-1

##### Rating at 240V a.c.

- 16A
- Time Delay 2min - 2h

**NOTE:** Capacitor will be required when switching compact fluorescent or very low power lighting. For example: 2D fittings, energy saving lamps, LEDs or any low power consuming loads and must be used across contactors.



\* See page 45 for 2 Wire dipswitches.

\*\* See page 46 for 3 Wire dipswitches.

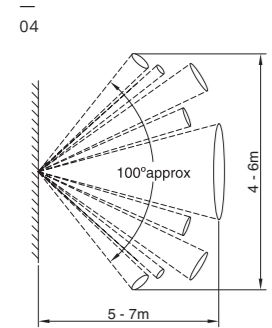
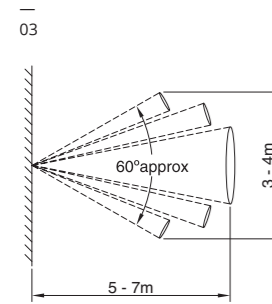
##### IMPORTANT NOTICE:

All wiring should be carried out by a competent person or a qualified Electrician in accordance with the current IET Wiring Regulations. If you believe the unit is faulty call Elkay technical on +44(0)28 9061 6505 or return to place of purchase.

## TECHNICAL

### Wiring diagrams

- 01 Single switching.
- 02 Multiple switching.
- 03 Plan view (for all types).
- 04 side view (for all types).

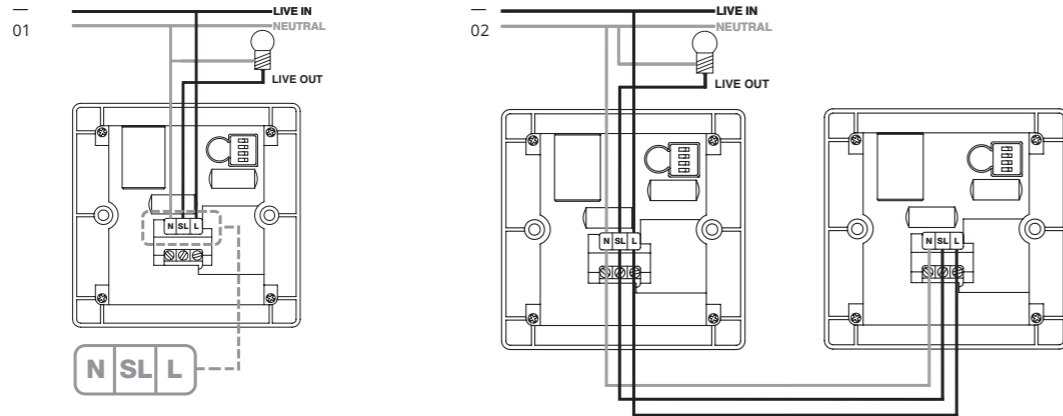


#### Standard pushbutton / PIR timer - 3 Wire (for all load types)

**Standard pushbutton / Standard PIR timer fitting - 3 Wire\*\***  
 3875B-1, 370B-1, 550B-1

**Rating at 240V a.c.**

- 10A
- Time Delay 2min - 1h



**NOTE:** Capacitor will be required when switching compact fluorescent or very low power lighting.

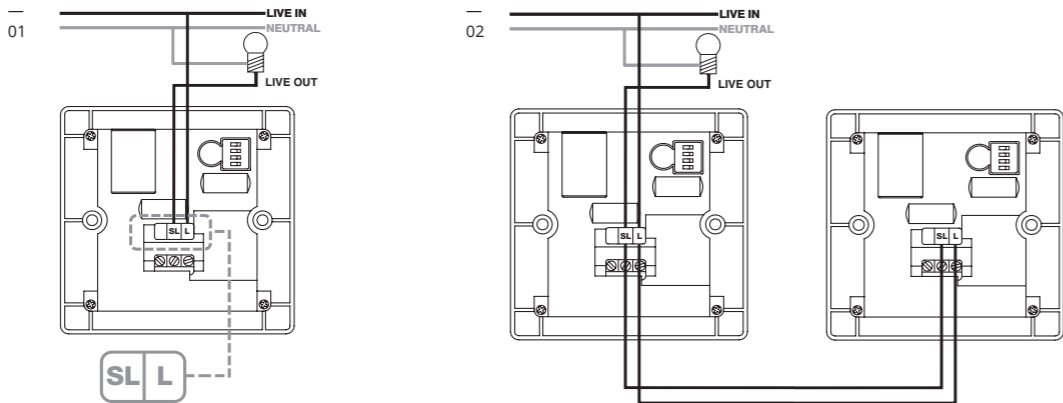
For example: 2D fittings, energy saving lamps, LEDs or any low power consuming loads and must be used across contactors.

#### Standard pushbutton / PIR timer - 2 Wire (for lighting only)

**Standard pushbutton / standard PIR timer fitting - 2 Wire (for lighting only)\***  
 350B-1, 376B-1, 550B-3

**Rating at 240V a.c.**

- 10A
- Time Delay 2min - 1h



**NOTE:** 2 Wire devices not to be used with contactors. Capacitor will often be required when switching compact fluorescent or very low power lighting.

For example: 2D fittings, energy saving lamps, LEDs or any low power consuming loads.

**IMPORTANT NOTICE:**

All wiring should be carried out by a competent person or a qualified Electrician in accordance with the current IET Wiring Regulations. If you believe the unit is faulty call Elkay technical on +44(0)28 9061 6505 or return to place of purchase..

\* See page 45 for 2 Wire dipswitches.

\*\* See page 46 for 3 Wire dipswitches.

## TECHNICAL

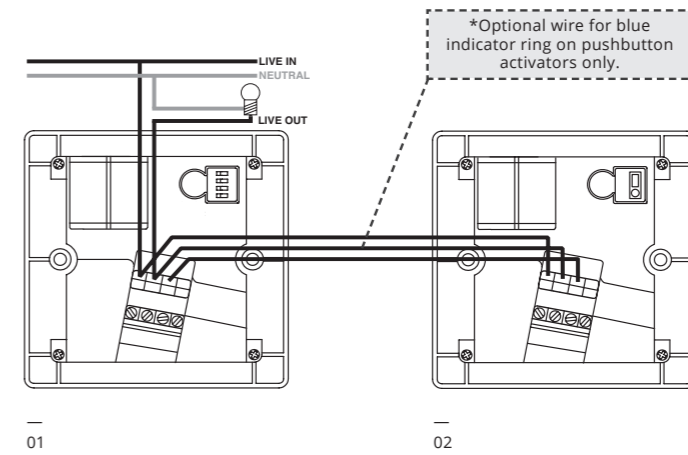
### Wiring diagrams

- 01 2 Wire master.
- 02 Activator.
- 03 2 Wire master.
- 04 Activator.

#### 2 Wire master with pushbutton, touch or PIR activator

**Pushbutton activator / touch activator / PIR activator fitting (illuminated) / 3 Core connection to master**  
 350A-3 / 360A-3 / 376A-3

**Rating at 240V a.c.**



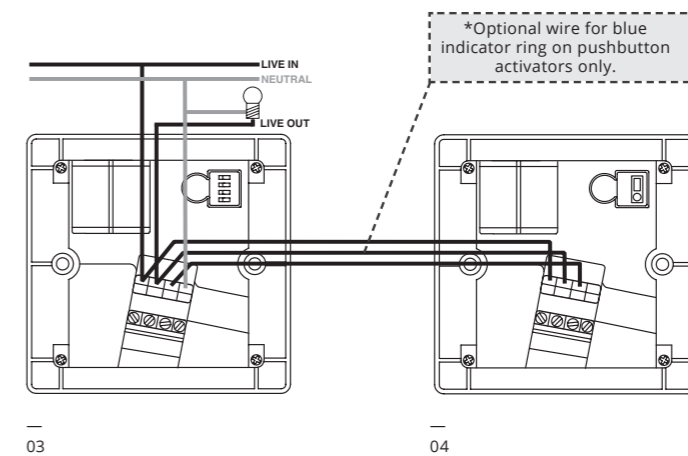
#### Masters & Activators - 2 Wire

Masters	Activators
350A-1	350A-3
360A-1	360A-3
376A-1	376A-3

#### 3 Wire master with pushbutton, touch or PIR activator

**Pushbutton activator / touch activator / PIR activator fitting (illuminated) - 3 Core**  
 350A-3 / 360A-3 / 376A-3

**Rating at 240V a.c.**



#### Masters & Activators - 3 Wire

Masters	Activators
3875A-1	350A-3
2235A-1	360A-3
370A-1	376A-3
550A-1	-
560A-1	-
570A-1	-
320A-1	Any Activator above

**IMPORTANT NOTICE:**

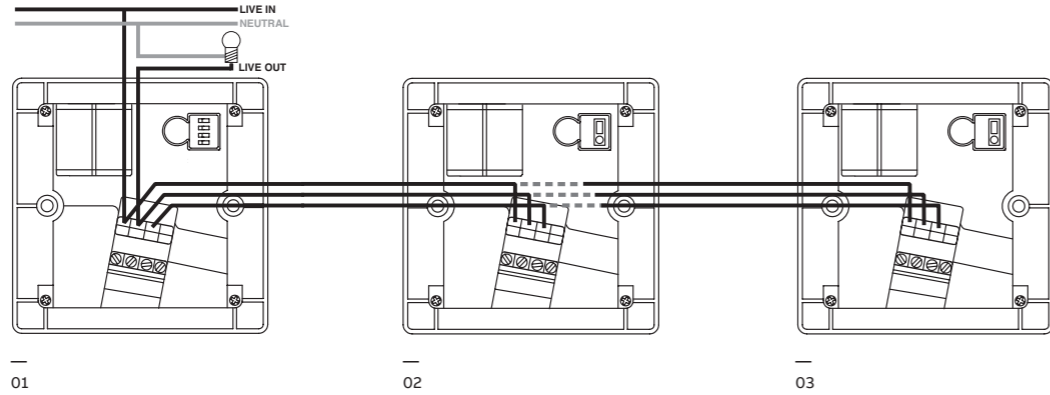
All wiring should be carried out by a competent person or a qualified Electrician in accordance with the current IET Wiring Regulations. If you believe the unit is faulty call Elkay technical on +44(0)28 9061 6505 or return to place of purchase..

**TECHNICAL**

Wiring diagrams

- 01 Master
- 02 Activator
- 03 Activator
- 04 Wiring diagram for a 3 Wire microwave unit
- 05 Wiring diagram for additional microwave units
- 06 Plan view of microwave pattern

**Multiple activator fitting - Illuminated timers**



**Microwave Motion Sensor fitting**

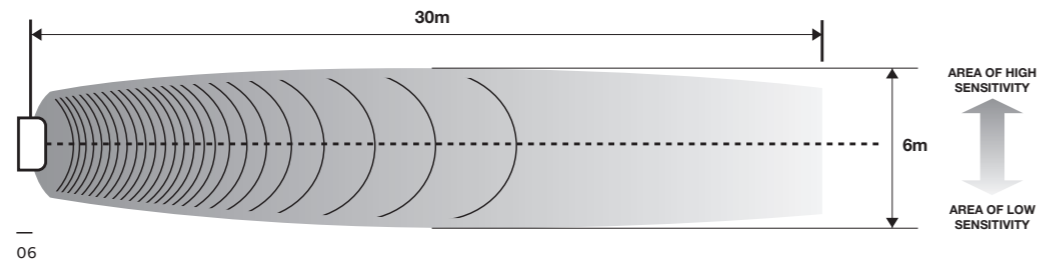
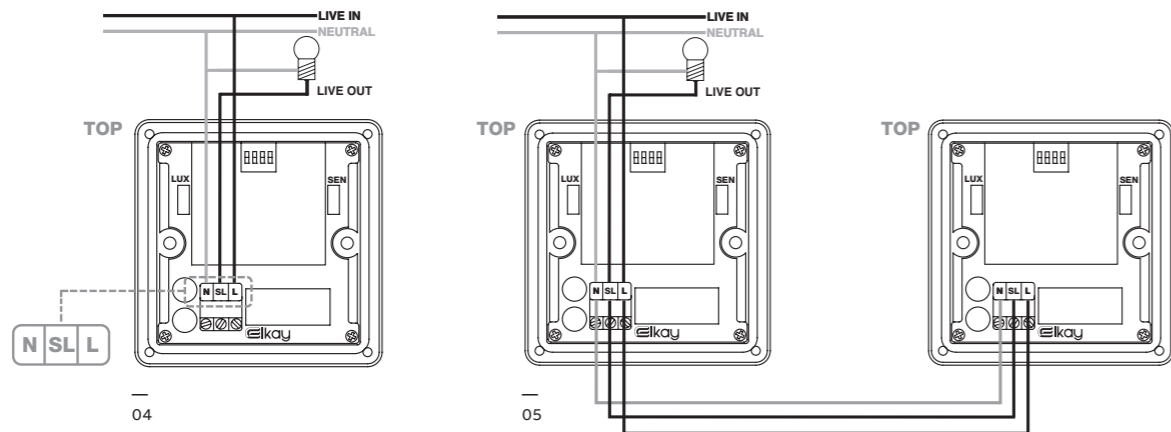
**Microwave Motion Sensor fitting - 3 Wire\* 380A-1**

**Rating at 240V a.c.**

- 16A
- Time Delay 2min - 2h

**Power factor correction capacitor (PFCC-1)**

When using 2 wire units with compact fluorescent or very low power lighting a power factor correction capacitor of 4 microfarads will often be required.



**IMPORTANT NOTICE:**

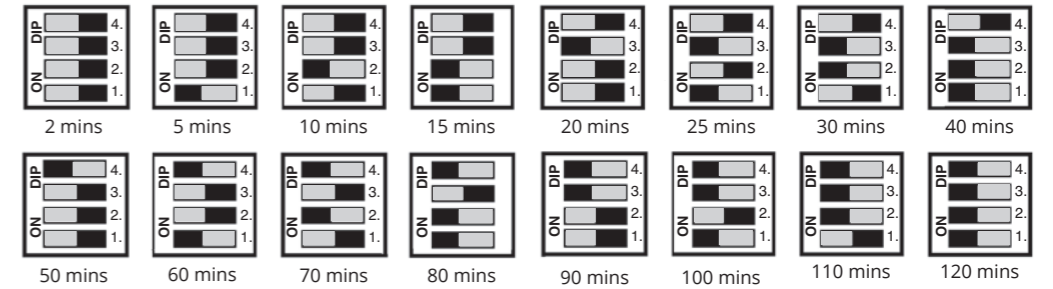
All wiring should be carried out by a competent person or a qualified Electrician in accordance with the current IET Wiring Regulations. If you believe the unit is faulty call Elkay technical on +44(0)28 9061 6505 or return to place of purchase..

\* See page 45 for 2 Wire dipswitches

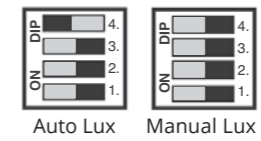
**TECHNICAL**

Timing diagrams

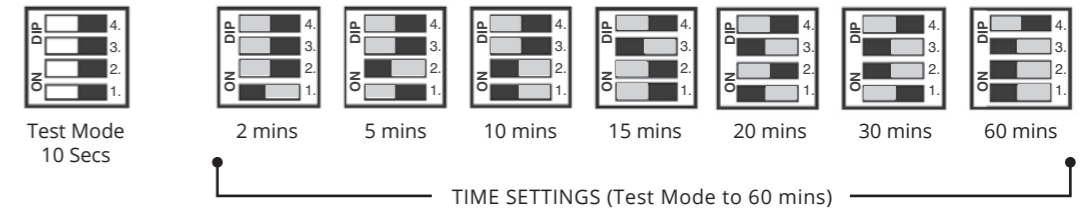
**Dipswitches for Microwave Motion Sensor fitting - 380A-1\***



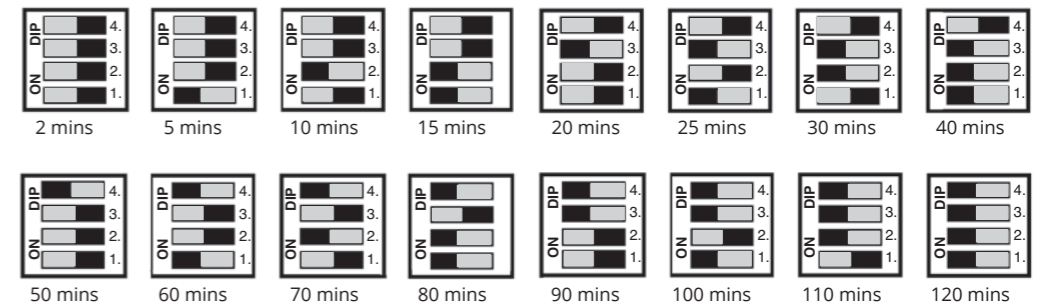
**Dipswitches for ceiling mount PIR & fireproof ceiling mount PIR - 374B-1, 374B-1FPC\***



Dip switch 4 is only used for Setting Automatic (150 Lux) or Manual Lux ONLY.



**Dipswitches for 3 Wire illuminated switches & wall sensors (except 374B-1, 374B-1FPC)\***



**Illuminated - 3 Wire**

- 3875A-1 / 2235A-1 / 370A-1
- 550A-1 / 560A-1 / 570A-1

\* PLEASE NOTE: The black bar denotes the position of the dip switch.

**IMPORTANT NOTICE:**

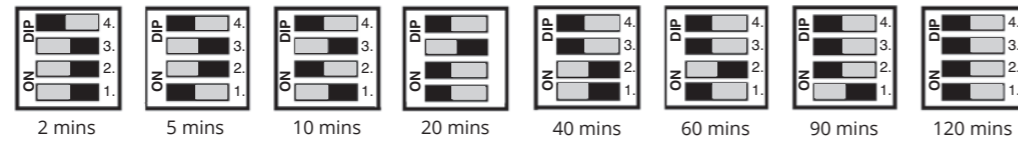
All wiring should be carried out by a competent person or a qualified Electrician in accordance with the current IET Wiring Regulations. If you believe the unit is faulty call Elkay technical on +44(0)28 9061 6505 or return to place of purchase..



## TECHNICAL

### Timing diagrams

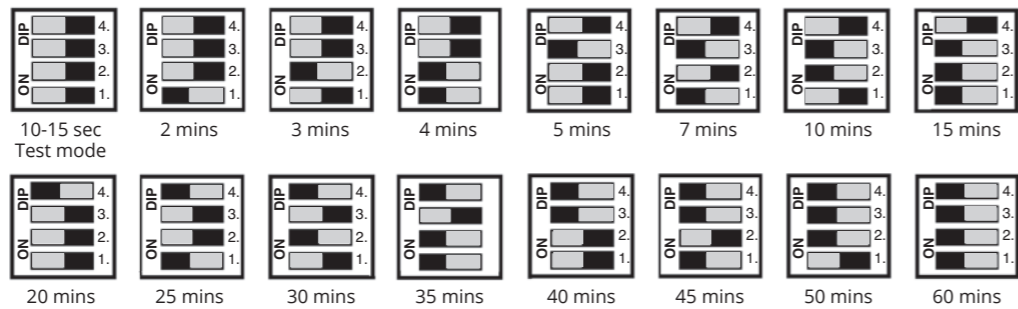
#### Dipswitches for 2 Wire switches & wall sensors\*



#### Illuminated Master Timers - 2 Wire

350A-1 / 360A-1 / 376A-1

#### Dipswitches for 2 and 3 wire Standard switches and wall sensors\*



#### Standard - 2 Wire

350B-1 / 376B-1 / 550B-3

#### Standard - 3 Wire

3875B-1 / 370B-1 / 550B-1

\* **PLEASE NOTE:** The **black bar** denotes the position of the dip switch.

#### IMPORTANT NOTICE:

All wiring should be carried out by a competent person or a qualified Electrician in accordance with the current IET Wiring Regulations. If you believe the unit is faulty call Elkay technical on +44(0)28 9061 6505 or return to place of purchase..





**Additional information**

We reserve the right to make technical changes or modify the contents of this document without prior notice. With regard to purchase orders, the agreed particulars shall prevail. Elkay does not accept any responsibility whatsoever for potential errors or possible lack of information in this document.

We reserve all rights in this document and in the subject matter and illustrations contained therein. Any reproduction, disclosure to third parties or utilisation of its contents – in whole or in parts – is forbidden without prior written consent of Elkay.