

## Instruction Guide

# CEILING MOUNT PIR TIMER

**374B-1L**

3 wire

The **Ceiling Mount PIR Timer** (3 wire) is part of the Elkay family of switches, timers and detectors which save energy and increase convenience in and around your home, garden or premises.

### Rating at 240V ac 50Hz

- All load types 10A
- Time Delay: 2min - 1 hour
- Manual Lux Sensor for daylight control
- Interchangeable white / chrome fascias

### Installation Instructions for Single Use

**IMPORTANT** Do not power up until instructed.

1. For flush mounting cut a 64mm hole to install into ceiling, attach cables and use cover cap and fixings supplied.
2. Select dip switch position for time delay required (See diagram 2).
3. Rotate lux level adjustment to the + for initialisation.
4. Connect live in, switch live out and neutral connection.
5. Apply mains power to unit.
6. Adjust lux level to the desired setting. Please note the PIR should be carefully adjusted when considering ambient light levels.



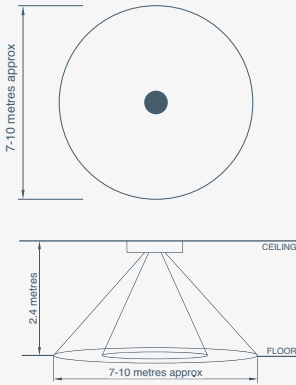
7. The PIR will flash for 2-3 mins; this is the initialisation time and the product will not work until this is complete.

### Operation instructions

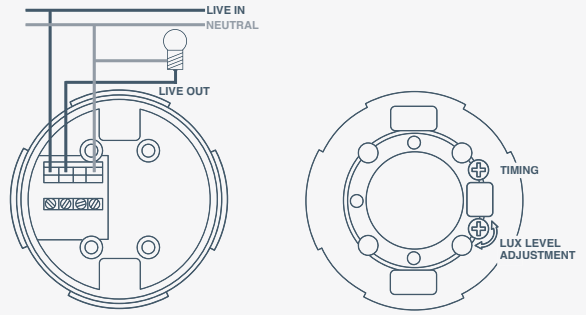
1. Activation when body heat passes through the detection zones. (See diagram 1).
2. Re activation will return back to pre set time delay.
3. No detection within set time period the unit will repeatedly flash during the last minute of count down before switching off.

If used with contactors or low wattage fittings a power factor correction capacitor minimum of 4 $\mu$ f / 4 microfarads may be required. These are available under our part reference PFCC-1. Where larger areas are to be covered please use additional PIRs connecting the live in terminals, live out terminals and neutral terminals.

### Diagram 1



### Diagram 3



Wiring diagram for a single unit.

### Diagram 2

**Please note:** The black bar denotes the position of the dip switch.



### Positioning

Use the detection range to determine a suitable location for the sensor. When locating the position of the unit, ensure the sensor is not subjected to bright sunlight. Ensure that the sensor is not adjacent to the load. Do not site the unit on a vibrating surface or near forced air heating and ventilation (see diagram 1).

### Wiring Colours into PIR

Brown - Live or Active, Black - Live Out or Switch Live, Grey - Neutral, Green/Yellow - Earth/Ground. Earth is not connected into PIR as no earth is required in the PIR. Earth must be connected into system at the other end to protect cable and circuit. When connecting additional devices together only utilise Live In, Live Out (Switch Live) and Neutral connections.

### Important Notice

All wiring should be carried out by a competent person or a qualified electrician and should be fitted to current IEE wiring regulations BS 7671. The circuit should be isolated before carrying out any work. Failure to adhere to the instructions will invalidate the warranty.

### Technical Helpline

For further help or assistance or information on this or other products in the range please call the Elkay Technical team on +44 (0)28 9061 6505. Please call the Technical helpline before returning any products to your stockist. These instructions are available in other languages. Please refer to our website [www.elkay.co.uk](http://www.elkay.co.uk) Instrukcje są również dostępne w innych językach. Prosimy o zapoznanie się z naszą stroną internetową [www.elkay.co.uk](http://www.elkay.co.uk) lub [www.elkaypolska.pl](http://www.elkaypolska.pl)

Brook House,  
Dunmurry Industrial Estate,  
Dunmurry,  
Belfast BT17 9HU  
T +44 (0)28 9061 6505  
F +44 (0)28 9061 6518  
E [info@elkay.co.uk](mailto:info@elkay.co.uk)



[elkay.co.uk](http://elkay.co.uk)

**BDH**<sup>TM</sup>  
BROOK DESIGN  
HARDWARE LTD

