

374B-1L Occupancy Ceiling Mounted PIR Timer – Three wire

The 374B-1L Ceiling Mounted PIR Timer is part of the Elkay family of switches, timers and detectors which save energy and increase convenience in and around your home or business premises.



Product description

The 374B-1L Occupancy pre-wired Sensor complete with pre-wired 20cm cable for your convenience. This is the best compact all-in-one Ceiling Mount PIR on the market complete with three core connections utilising the live, switch live and neutral.

Key attributes:

The 374B-1L Occupancy pre-wired Sensor is Flush Mounted and supplied with a White and Chrome fascia colour options included in the box. 10A all load type switching whatever the load including LED (so no need to de-rate for LED). The product can be both presence and absence with the addition of a one-way switch or grid switch. (See diagram)

It has a 2 minute to 1 hr timing selection. The unit is switched ON by the detection of moving body heat within its detection range. When body movement is no longer detected, the unit will switch OFF after the adjustable delay time has elapsed following no further detection.

This multi-feature intelligent timer has a lux level adjustment the lux level measures the ambient light levels and prevents the lighting being switched ON when there is enough light in the area. It also provides variable timing selection. Precise delay off timing dip switches is conveniently located under the removeable fascia giving 10 pre-set delay times.

Typical Product usage

The 374B-1L Occupancy pre-wired Sensor is commonly used to control all types of internal loads from lighting, heating and ventilation and is very popular for use in all situations for controlling loads where the load is only required in people's presence or absence. The product requires a neutral. Applications for suitable use include lighting such as LED lighting, fluorescent and compact fluorescent lighting as well as inductive, resistive, and incandescent lighting and certain heating and ventilation applications*

Key features

- 10A any load type
- 3 wire (Live, Switch live and Neutral required)
- 20cm pre-wired 3 core cables
- Lux level Adjustment control –Manual Lux
- Supplied with 2 x Interchangeable white & chrome fascia covers.
- Fixing – Flush mounted
- Automatically resets timing sequence if detecting movement.
- Can be interlinked with other 374B-1L timers for multiple switching.
- 360° detection utilising a circular beam.
- 7-10 m detection range
- 16 Timer settings from 2 minutes to 1 hour

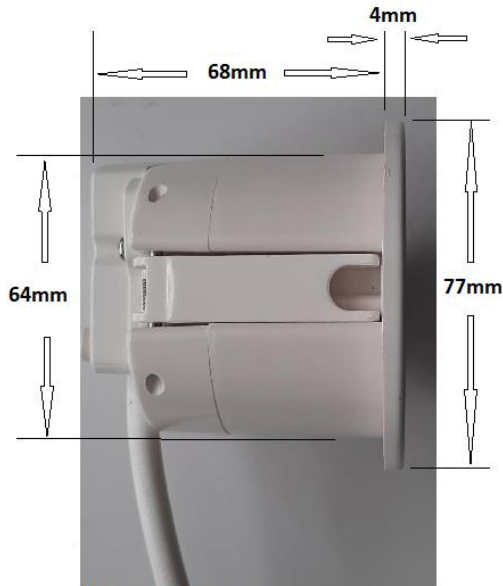
Technical Specification

- **Voltage:** 240V a.c.
- **Frequency:** 50/60Hz
- **Timing:** 2 minutes to 1 hour
- **Detection Range:** 7-10m range with a 360° circular beam
- **Cut Out Dimensions:** 64mm
- **Connections:** Live | Switch Live | Neutral
- **Loading:** Up to 10A all load types**
- **Marking:** CE & UKCA
- **Terminal Capacity:** 2.5mm²
- **Standards:** BS EN 60669, 60669-1, 60669-2-1, 60669-2-3.
- **Power Consumption:** 0.9W
- **Material:** Flame Retardant ABS / UV Resistant
- **Compliances:** RoHS compliant, WEEE Policy, ISO9001, ISO14001.
- **Total Product Weight (each):** 149g
- **Total Plastic Weight (each):** 113g

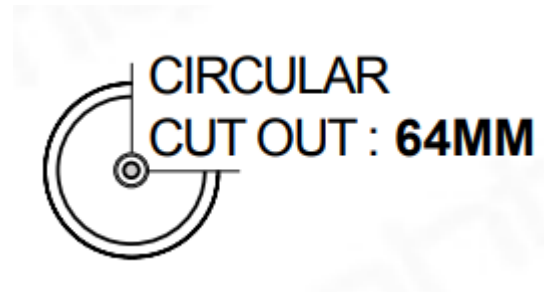
*When using PIRs with outdoor heating sources it is advisable to ensure that the PIR sensor is in a position where it will not be affected the heat source and false trigger or stay on.

**All load type switching means that all load types such as LED, Fluorescent, Compact fluorescent, Resistive and Induction can be switched at 10Amps (2300W) without the need to derate.

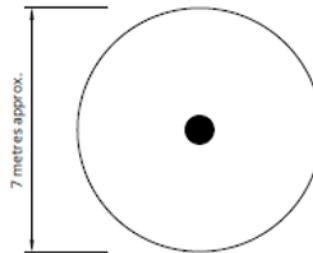
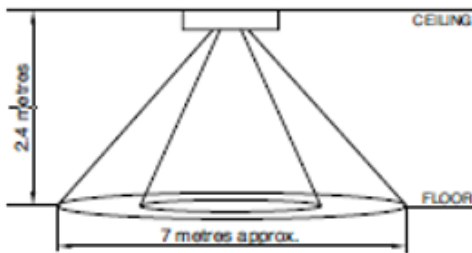
Dimensions



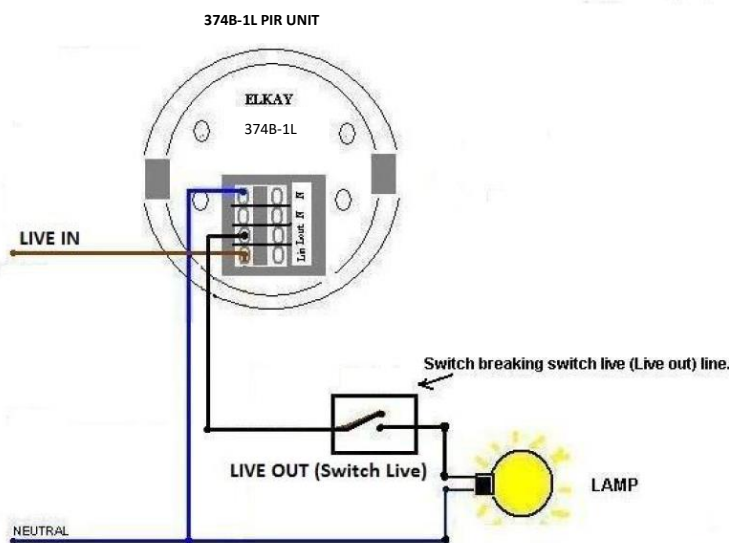
Live, Switch Live & Neutral
3 core Connections cable



The circular beam gives 360° detection and detects infra-red body heat passing or approaching the sensor.



Absence Wiring with standard one-way switch or grid switch



NOTE CABLE WIRING COLOURS AND CONNECTIONS
Brown = LIVE IN
Black = LIVE OUT
Grey = NEUTRAL

Amendments Record

Action	Date
Draft Issue	28/06/2021