

# OCCUPANCY CEILING MOUNTED PIR Timer 374B-1PFC - Three wire

The 374B-1PFC Ceiling Mounted PIR Timer is part of the Elkay family of switches, timers and detectors which save energy and increase convenience in and around your home or business premises.

## Product description

The product is the best compact all-in-one Ceiling Mount PIR in a fireproof can Fireproof Can with 60 minute fire protection on the market with the following key attributes.

All in one Flush Mount with White fascia colour and Prewired with 1m of 3 core cable for convenience and ease of installation. It is a 10A PIR time switch designed to switch all load type including LED (so no need to de-rate for LED). The product can be both presence and absence with the addition of a one-way switch or grid switch. (See diagram)

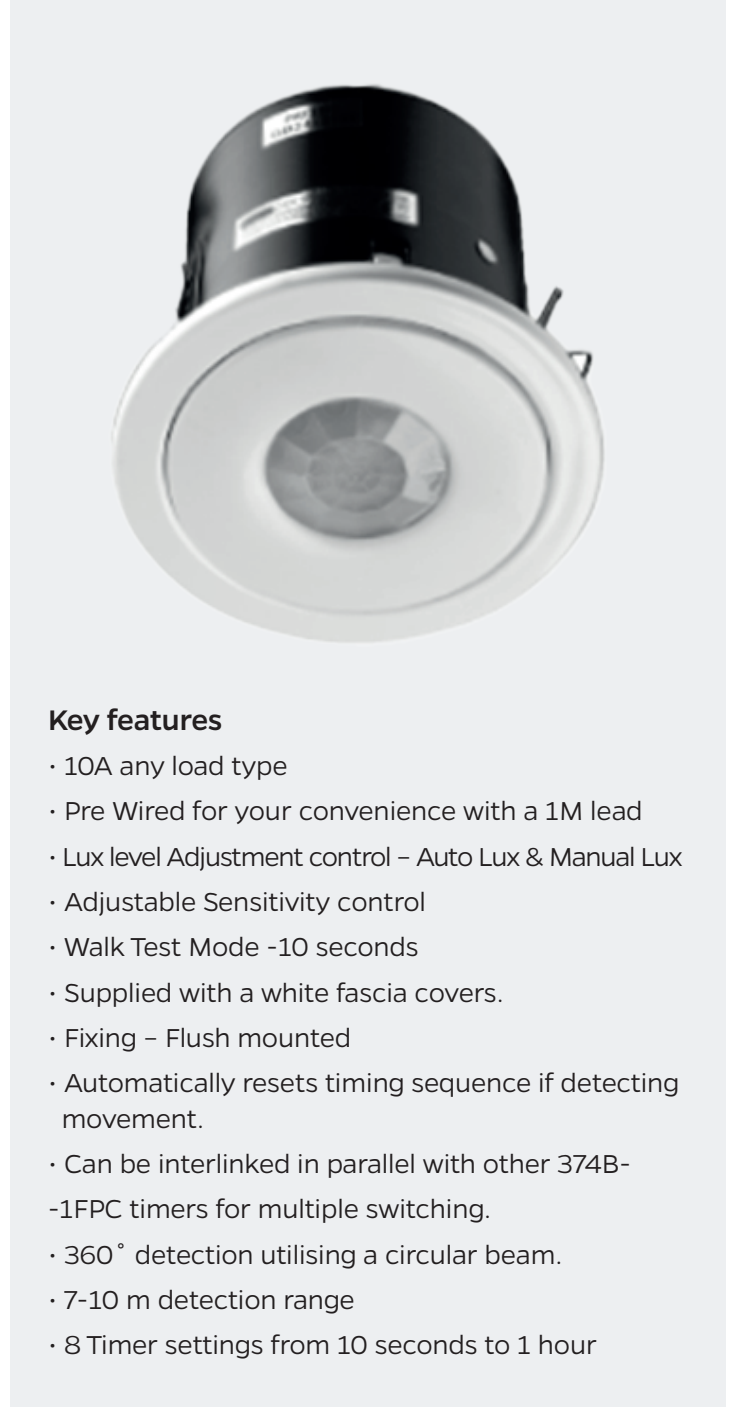
The unit is switched ON by the detection of moving body heat within its detection range. When body movement is no longer detected, the unit will switch OFF after the adjustable delay time has elapsed following no further detection.

The auto lux function of this multi-feature intelligent timer measures the ambient light levels adjustment control that allow lux level setting that prevents the lighting being switched ON when there is enough light in the area.

It also provides precise delay off timing via dip switches which is conveniently located under the removeable fascia giving 8 pre-set delay times comprising of a 10 secs Test Mode to speed up installation time and a sensitivity setting control for area coverage adjustment. Operational timing delay range between 2 min – 1 hr and the option of Auto Lux or Manual lux toggle.

## Typical Product usage

The 374B-1PFC Occupancy PIR timer is commonly used to control all types of internal loads from lighting, heating and ventilation and is very popular for use in all situations for controlling loads where the load is only required in people's presence or absence. The product requires a neutral. Applications for suitable use include lighting such as LED lighting, fluorescent and compact fluorescent lighting as well as inductive, resistive and incandescent lighting and certain heating and ventilation applications\*



## Key features

- 10A any load type
- Pre Wired for your convenience with a 1M lead
- Lux level Adjustment control – Auto Lux & Manual Lux
- Adjustable Sensitivity control
- Walk Test Mode -10 seconds
- Supplied with a white fascia covers.
- Fixing – Flush mounted
- Automatically resets timing sequence if detecting movement.
- Can be interlinked in parallel with other 374B-1PFC timers for multiple switching.
- 360° detection utilising a circular beam.
- 7-10 m detection range
- 8 Timer settings from 10 seconds to 1 hour

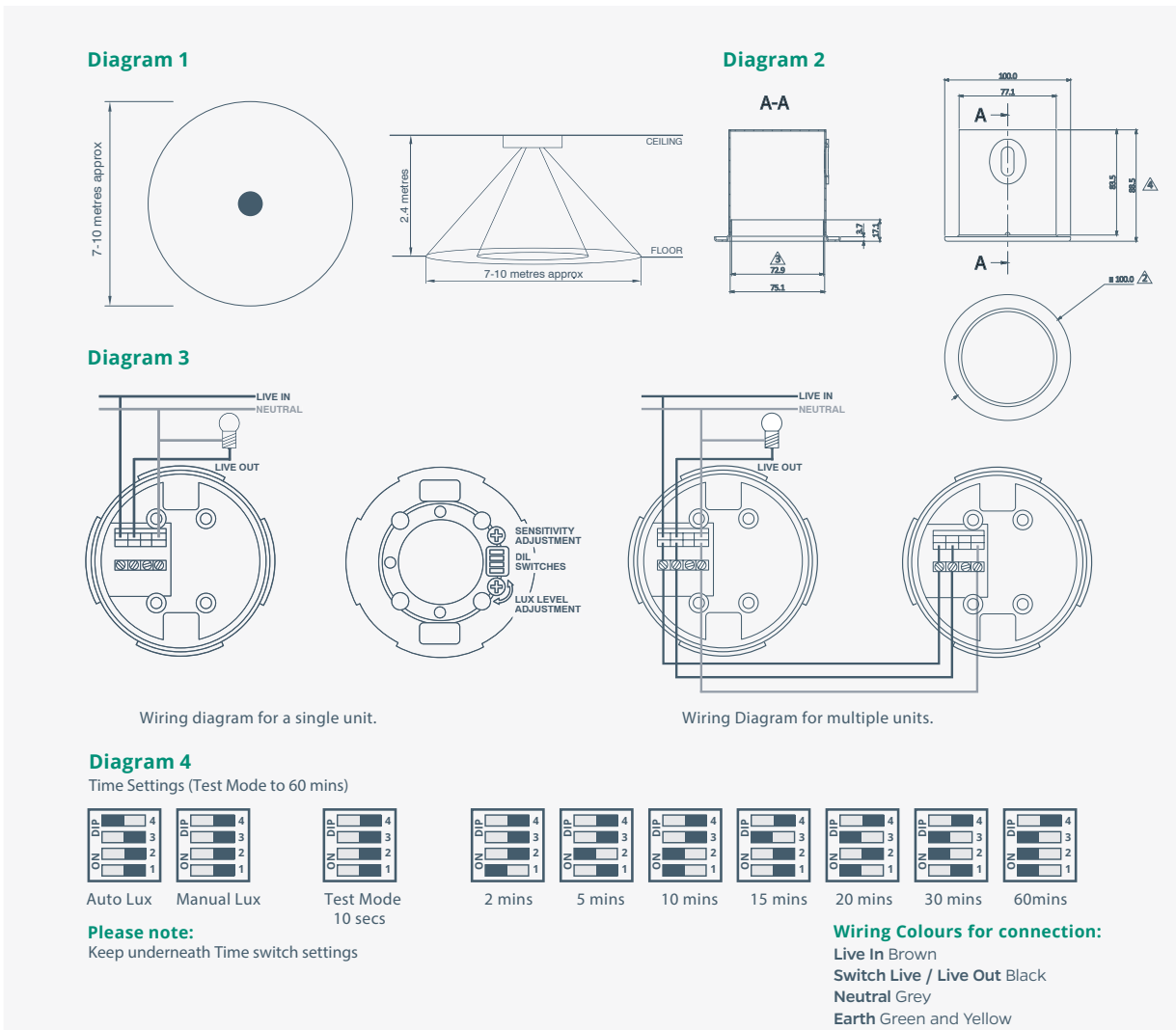
**Technical Specification:**

- **Voltage:** 240V a.c.
- **Frequency:** 50/60Hz
- **Timing:** 10 seconds to 1 hour
- **Detection Range:** 7-10m range with a 360° circular beam
- **Cut Out Dimensions:** 77.1mm
- **Connections:** Live | Switch Live | Neutral | Neutral
- **Loading:** Up to 10A all load types\*\*
- **Marking:** CE & UKCA
- **Terminal Capacity:** 2.5mm<sup>2</sup>
- **Standards:** BS EN 60669, 60669-1, 60669-2-1, 60669-2-3.
- **Power Consumption:** 0.9W
- **Material:** Flame Retardant ABS / UV Resistant
- **Compliances:** RoHS compliant, WEEE Policy, ISO9001, ISO14001.
- **Total Product Weight (each):** 478g
- **Total Plastic Weight (each):** 113g

\*When using PIRs with outdoor heating sources it is advisable to ensure that the PIR sensor is in a position where it will not be affected the heat source and false trigger or stay on.

\*\*All load type switching means that all load types such as LED, Fluorescent, Compact fluorescent, Resistive and Induction can be switched at 10Amps (2300W) without the need to derate.

**Dimensions**



Action	Amendments Record
Draft Issue	
Date	17/04/2023